

0CD50-M00070EN

# P R E F A C E

This parts catalog is the 1st edition of 4TNV94L-BXPHZ for Hangcha.

Published : December, 2013

# Contents

Fig. No.    Fig. Name

4TNV94L-BXPHZ

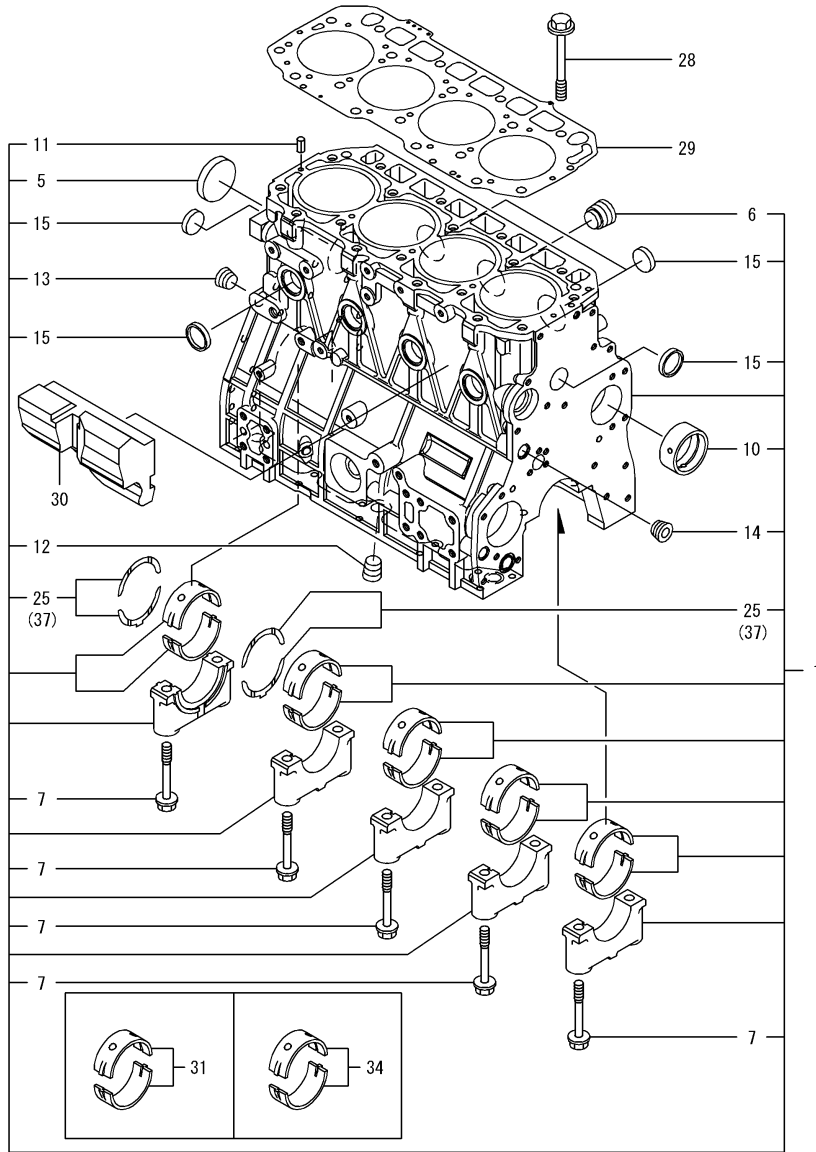
1. CYLINDER BLOCK
2. GEAR HOUSING
3. FLYWHEEL HOUSING & OIL SUMP
4. CYLINDER HEAD & BONNET
5. SUCTION MANIFOLD
6. EXHAUST MANIFOLD
7. CAMSHAFT & DRIVING GEAR
8. CRANKSHAFT & PISTON
9. LUB. OIL SYSTEM
10. COOLING WATER SYSTEM
11. FUEL INJECTION PUMP
12. GOVERNOR
13. FUEL INJECTION VALVE
14. FUEL LINE
15. STARTING MOTOR
16. GENERATOR

Fig. No.    Fig. Name

Fig.1. CYLINDER BLOCK

(A)=4TNV94L-BXPZH  
(B)=  
(C)=

(D)=  
(E)=  
(F)=

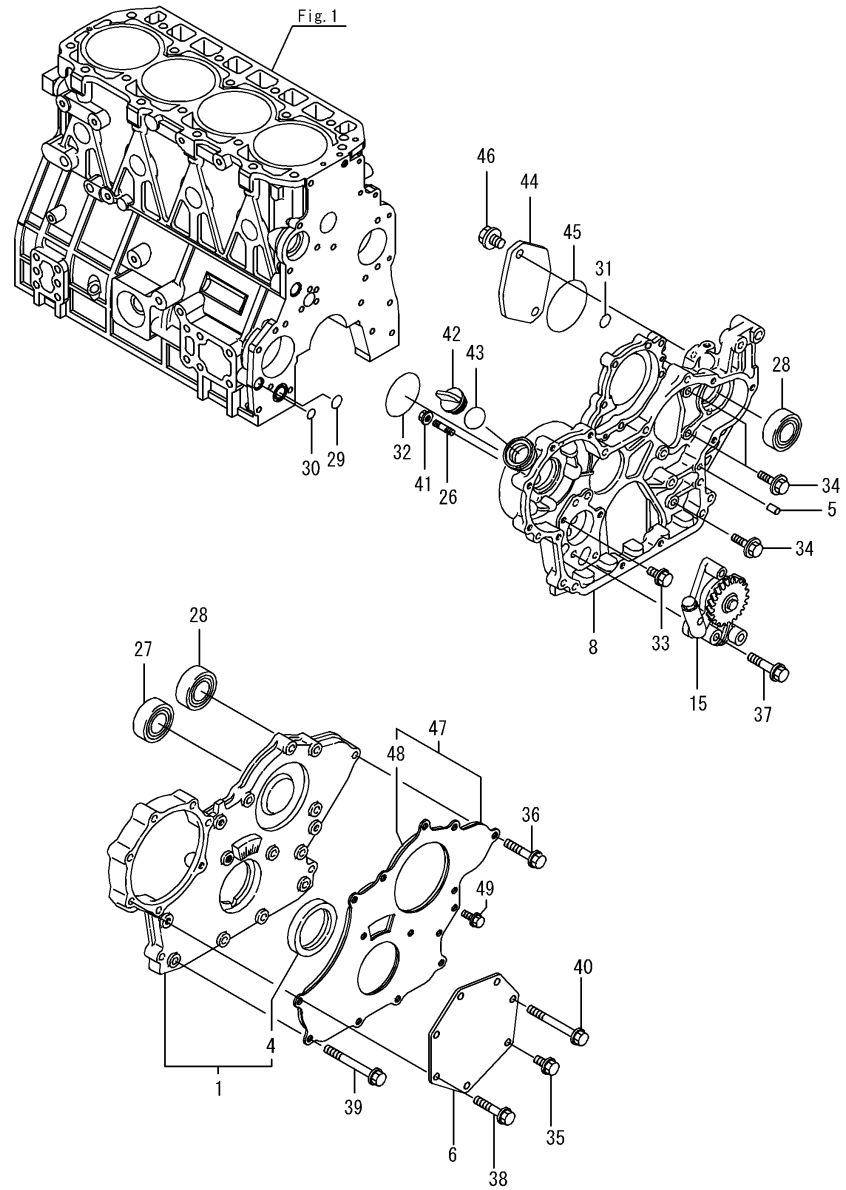


No.	Lev.	Parts No.	Description	Q'ty						I	R
				(A)	(B)	(C)	(D)	(E)	(F)		
1	1	729906-01561	BLOCK ASSY, CYLINDER	1							
5	2	129900-01250	PLUG, 55	1							
6	2	171051-01921-Z	PLUG, NPTF1	1							
7	2	129900-02020	BOLT, METAL CAP	10							
10	2	129900-02410	BUSH, CAMSHAFT	1							
11	2	22351-060012	PIN, SPRING 6.0X12	2							
12	2	23876-030000	PLUG, R03	1							
13	2	23876-030000	PLUG, R03	1							
14	2	23876-030000	PLUG, R03	1							
15	2	27241-300000	PLUG 30	8							
25	2	129900-02931	BEARING, THRUST	2							
28	1	129900-01200	BOLT, HEAD	18							
29	1	129906-01350	GASKET, HEAD	1							
30	1	129907-01190	SPACER	1							
31	1	729900-02801	BEARING, MAIN	5							1
34	1	129900-02341	BEARING, 0.25 US	5							2
37	1	129900-02941	BEARING, THRUST 0.25	2							3

Remarks

- (1) Spare part.
- (2) Under-sized (U.S.=0.25) part.
- (3) Over-sized (O.S.=0.25) part.

Fig.2. GEAR HOUSING



(A)=4TNV94L-BXPZH  
(B)=  
(C)=

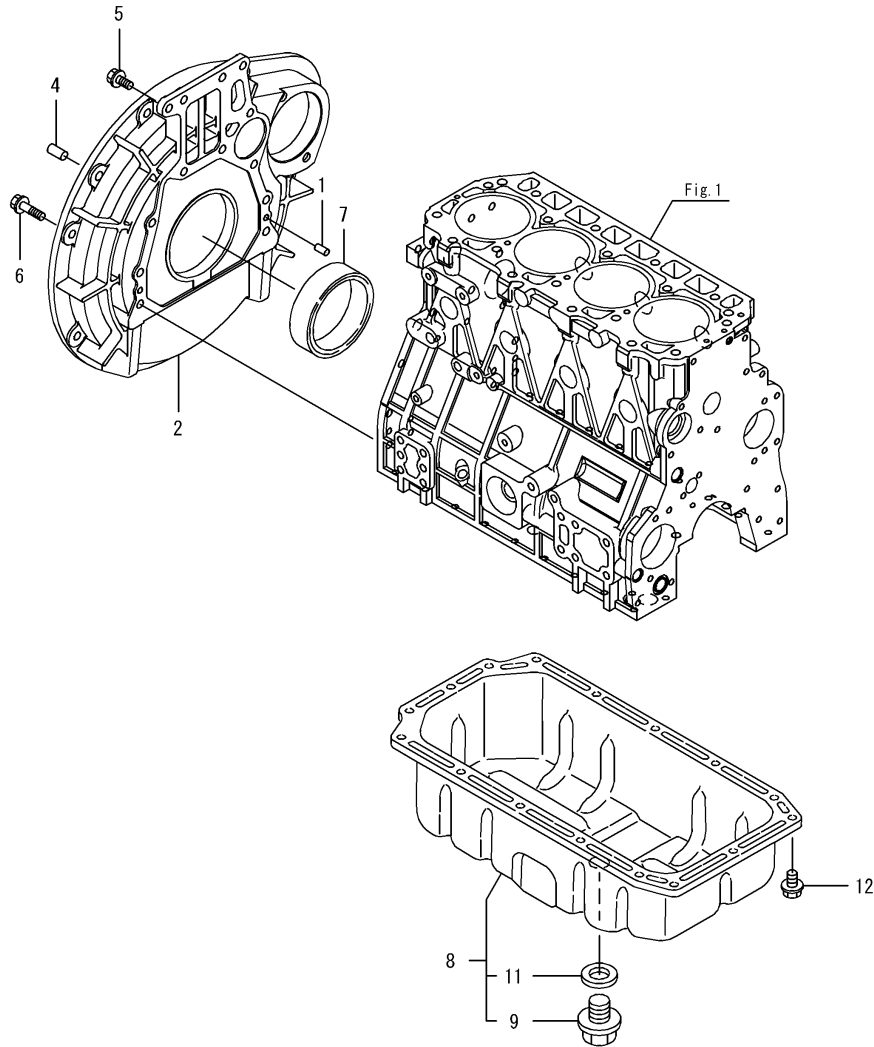
(D)=  
(E)=  
(F)=

No.	Lev.	Parts No.	Description	Q'ty						I	R
				(A)	(B)	(C)	(D)	(E)	(F)		
1	1	729907-01550	COVER ASSY,GEAR CASE	1							
4	2	129900-01780	SEAL, OIL	1							
5	1	129100-01580	PIN, 8X16	4							
6	1	129951-01740	COVER	1							
8	2	129962-01500	CASE, GEAR	1							
15	1	129900-32001	PUMP ASSY, OIL	1							
26	1	26216-100302	STUD, M10X 30	4							
27	1	129900-14140	BEARING, BALL 6205	1							
28	1	129900-26250	BEARING, BALL 6206C3	2							
29	1	129900-32030	O-RING, P20	1							
30	1	129900-32040	O-RING, P14	1							
31	1	24311-000070	O-RING, 1AP7.0	1							
32	1	24351-030750	O-RING, 1A3075	1							
33	1	26106-080162	BOLT, M8X 16 PLATED	1							
34	1	26106-080202	BOLT, M8X 20 PLATED	3							
35	1	26106-080202	BOLT, M8X 20 PLATED	1							
36	1	26106-080402	BOLT, M8X 40 PLATED	5							
37	1	26106-080452	BOLT, M8X 45 PLATED	3							
38	1	26106-080452	BOLT, M8X 45 PLATED	5							
39	1	26106-080702	BOLT, M8X 70 PLATED	6							
40	1	26106-080752	BOLT, M8X 75 PLATED	1							
41	1	26306-100002	NUT, M10	4							
42	1	124160-01751	COVER, FILLER	1							
43	1	24311-000320	O-RING, 1AP32.0	1							
44	1	121023-26071	COVER	1							
45	1	24321-000850	O-RING, 1AG85.0	1							
46	1	26106-100202	BOLT, M10X 20 PLATED	2							
47	1	129900-01850	COVER ASSY,GEAR CASE	1							
48	2	129900-01870	SPONGE	1							
49	1	26106-080162	BOLT, M8X 16 PLATED	3							

Fig.3. FLYWHEEL HOUSING & OIL SUMP

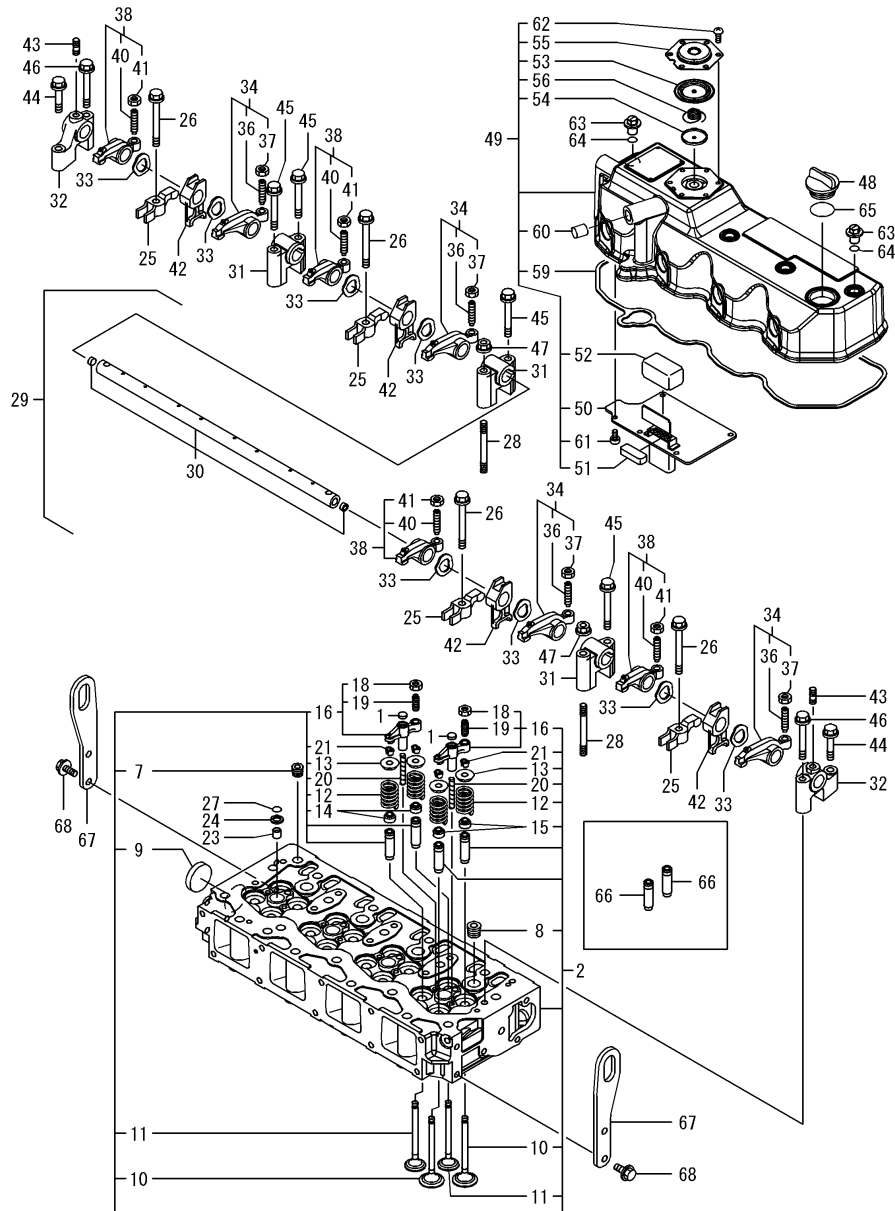
(A)=4TNV94L-BXPZH  
(B)=  
(C)=

(D)=  
(E)=  
(F)=



No.	Lev.	Parts No.	Description	Q'ty						I	R
				(A)	(B)	(C)	(D)	(E)	(F)		
1	1	129100-01580	PIN, 8X16	2							
2	1	129906-01610	HOUSING, FLYWHEEL	1							
4	1	22312-120200	PIN, PARALLEL M12X20	2							
5	1	26206-100202	BOLT, M10X 20 PLATED	4							
6	1	26206-100352	BOLT, M10X 35 PLATED	9							
7	1	129916-01790	SEAL, D115/95XT11	1							
8	1	129930-01710	SUMP ASSY, OIL	1							
9	2	119640-01640	PLUG, DRAIN M22	1							
11	2	22190-220002	WASHER, SEAL 22	1							
12	1	26106-080122	BOLT, M8X 12 PLATED	16							

Fig.4. CYLINDER HEAD & BONNET



(A)=4TNV94L-BXPZH

(B)=

(C)=

(D)=

(E)=

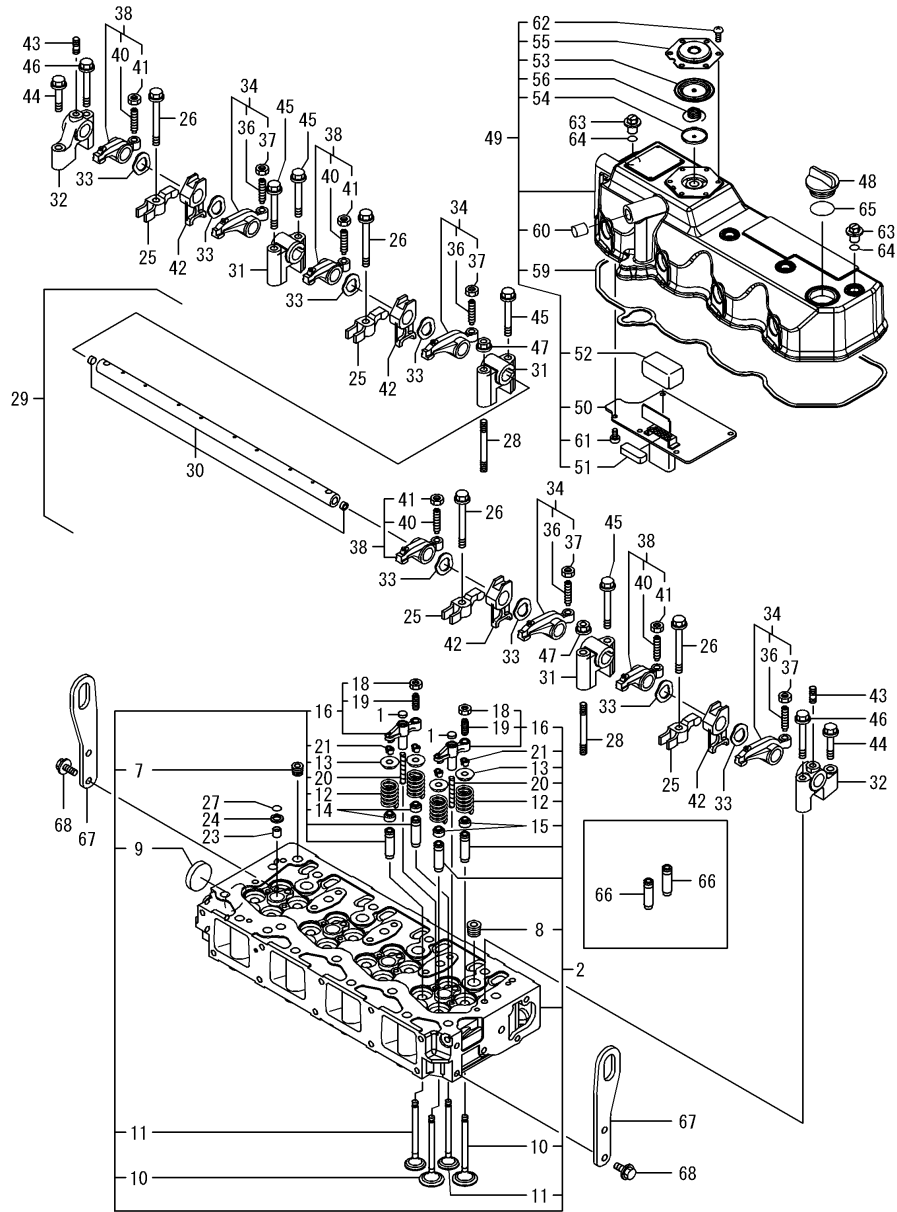
(F)=

No.	Lev.	Parts No.	Description	Q'ty						I	R
				(A)	(B)	(C)	(D)	(E)	(F)		
1	1	123907-11550	SEAT, VALVE BRIDGE	8							
2	1	129907-11700	HEAD ASSY, CYLINDER	1							
7	2	23876-020000	PLUG, R02	1							
8	2	23876-030000	PLUG, R03	4							
9	2	27241-400000	PLUG, 40	1							
10	2	129907-11100	VALVE, INTAKE	8							
11	2	129907-11110	VALVE, EXHAUST	8							
12	2	129907-11120	SPRING, VALVE	16							
13	2	119620-11180	RETAINER, SPRING	16							
14	2	119803-11340	SEAL, VALVE STEM	8							
15	2	124160-11340	SEAL, VALVE STEM	8							
16	2	129907-11510	BRIDGE ASSY, VALVE	8							
18	3	129150-11750	NUT, M8	8							
19	3	123907-11830	ADJUSTER	8							
20	2	123907-11820	GUIDE	8							
21	2	27310-070001	COTTER, 7	16							
23	1	119802-11870	PROTECTOR, NOZZLE	4							
24	1	119625-11880	SEAT, NOZZLE	4							
25	1	129907-11910	RETAINER, NOZZLE	4							
26	1	129907-11950	BOLT, M8X75	4							
27	1	24311-000120	O-RING, 1AP12.0	4							
28	1	119593-11301	STUD, M8X80	2							
29	1	129907-11341	SHAFT ASSY, ROCKER	1							
30	2	129907-11250	SHAFT, ROCKER ARM	1							
31	2	129907-11260	SUPPORT, ROCKER ARM	3							
32	2	129907-11270	SUPPORT, ROCKER ARM	2							
33	2	123907-11280	WASHER	8							
34	2	129907-11650	ARM, ROCKER	4							
36	3	129150-11230	SCREW, VALVE ADJUST	4							
37	3	129150-11750	NUT, M8	4							
38	2	129907-11660	ARM, ROCKER	4							
40	3	129150-11230	SCREW, VALVE ADJUST	4							
41	3	129150-11750	NUT, M8	4							
42	2	129907-11920	RETAINER	4							
43	2	26226-080222	STUD, M8X 22	2							
44	1	26106-080402	BOLT, M8X 40 PLATED	2							
45	1	26106-080602	BOLT, M8X 60 PLATED	4							
46	1	26106-080602	BOLT, M8X 60 PLATED	2							
47	1	26306-080002	NUT, M8	2							
48	1	124160-01751	COVER, FILLER	1							
49	1	129907-11321	BONNET ASSY, HEAD	1							
50	2	129907-03011	PLATE	1							
51	2	129907-03061	BAFFLE, BREATHER	1							
52	2	129907-03070	BAFFLE, BREATHER	1							
53	2	123907-03100	DIAPHRAGM	1							
54	2	123907-03110	PLATE	1							
55	2	123907-03120	PLATE, BREATHER	1							
56	2	123907-03140	SPRING, DIAPHRAGM	1							
59	2	129933-11310	GASKET, BONNET	1							
60	2	119640-61400	PLUG	1							
61	2	22857-500100	SCREW, 5X10	6							

Remarks

(1) Spare part.

Fig.4. CYLINDER HEAD & BONNET



(A)=4TNV94L-BXPZH  
(B)=  
(C)=

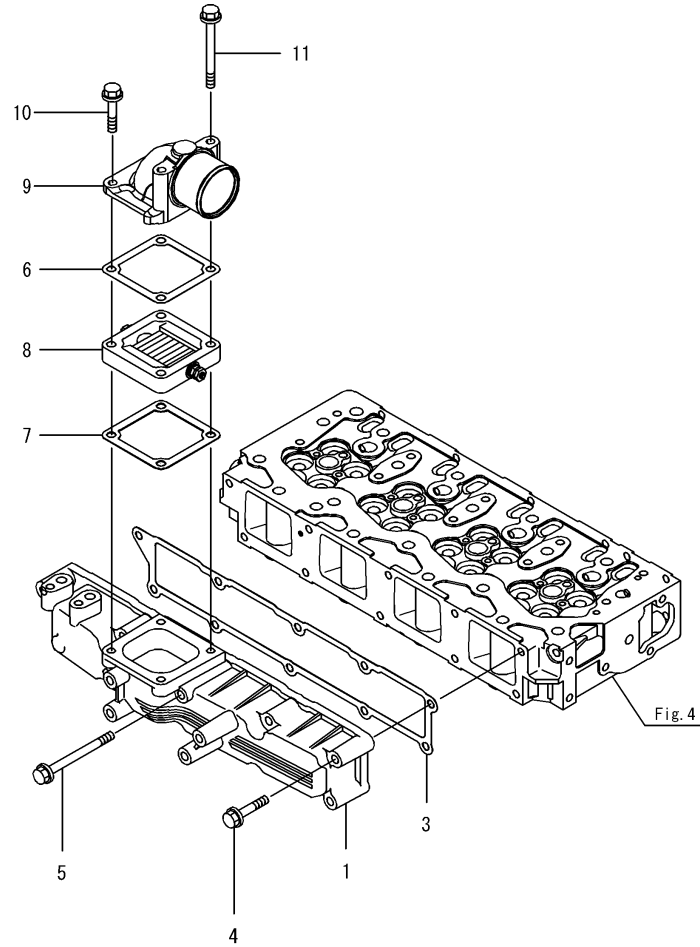
(D)=  
(E)=  
(F)=

No.	Lev.	Parts No.	Description	Q'ty						I	R
				(A)	(B)	(C)	(D)	(E)	(F)		
62	2	22857-500100	SCREW, 5X10	6							
63	1	124160-11360	KNOB	4							
64	1	24311-000120	O-RING, 1AP12.0	4							
65	1	24311-000320	O-RING, 1AP32.0	1							
66	1	129907-11800	GUIDE, VALVE	16							1
67	1	129907-07900	LIFTER	2							
68	1	26106-080162	BOLT, M8X 16 PLATED	4							

Remarks  
(1) Spare part.



# Fig.5. SUCTION MANIFOLD



(A)=4TNV94L-BXPZH  
(B)=  
(C)=

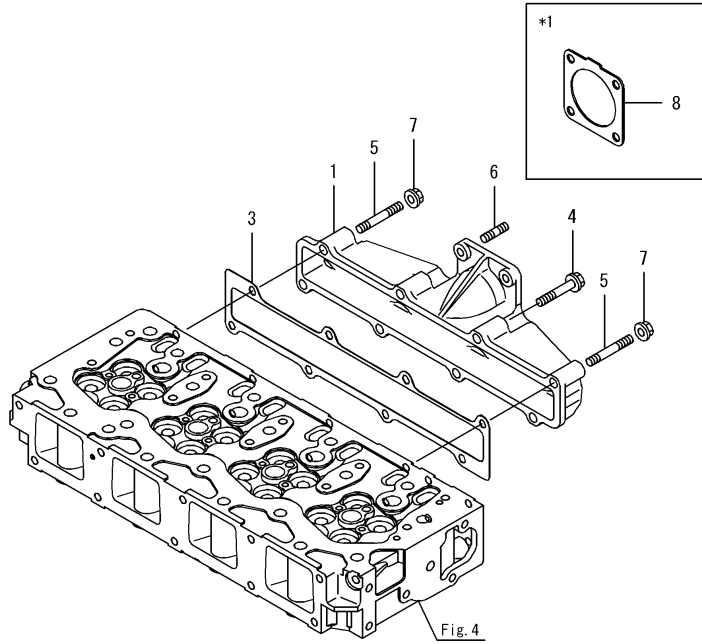
(D)=  
(E)=  
(F)=

No.	Lev.	Parts No.	Description	Q'ty						I	R
				(A)	(B)	(C)	(D)	(E)	(F)		
1	1	129907-12100	MANIFOLD, AIR INTAKE	1							
3	1	129907-12110	GASKET, MANIFOLD	1							
4	1	26106-080552	BOLT, M8X 55 PLATED	9							
5	1	26106-080852	BOLT, M8X 85 PLATED	1							
6	1	119129-77020	GASKET	1							
7	1	121850-77021	GASKET	1							
8	1	119005-77051	HEATER	1							
9	1	119129-77520	BEND	1							
10	1	26106-080402	BOLT, M8X 40 PLATED	2							
11	1	26106-080902	BOLT, M8X 90 PLATED	2							

Fig.6. EXHAUST MANIFOLD

(A)=4TNV94L-BXPHZ  
(B)=  
(C)=

(D)=  
(E)=  
(F)=



No.	Lev.	Parts No.	Description	Q'ty						I	R
				(A)	(B)	(C)	(D)	(E)	(F)		
1	1	129900-13120	MANIFOLD, EXHAUST	1							
3	1	129900-13150	GASKET	1							
4	1	119802-13610	BOLT, M8X45	6							
5	1	119802-13720	STUD, M8X45	2							
6	1	119131-18320	STUD, M8X22	4							
7	1	26306-080002	NUT, M8	2							
8	1	129930-13201	GASKET, SILENCER	1							

Remarks  
\*1.Loose part.

# Fig.7. CAMSHAFT & DRIVING GEAR

(A)=4TNV94L-BXPZH

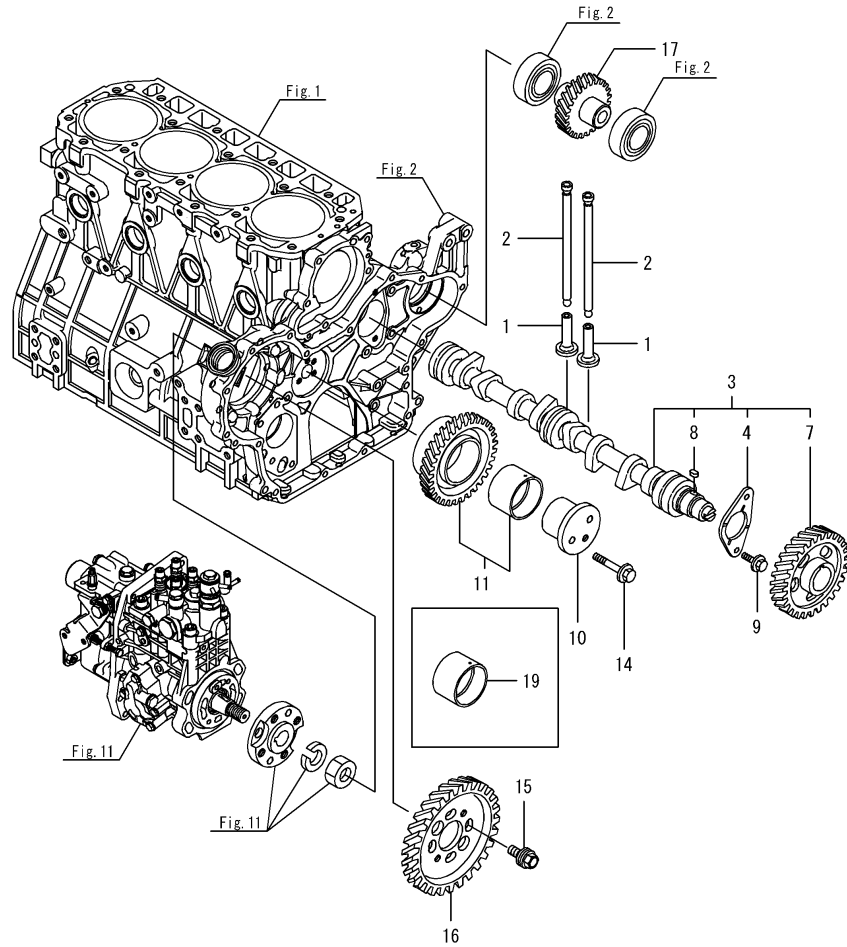
(B)=

(C)=

(D)=

(E)=

(F)=



No.	Lev.	Parts No.	Description	Q'ty						I	R
				(A)	(B)	(C)	(D)	(E)	(F)		
1	1	129150-14200	TAPPET	8							
2	1	129907-14400	ROD, PUSH	8							
3	1	129908-14590	CAMSHAFT ASSY	1							
4	2	129150-02450	BEARING, THRUST	1							
7	2	129900-14110	GEAR, CAMSHAFT	1							
8	2	22512-070140	KEY, 7X 14	1							
9	1	26106-080142	BOLT, M8X 14 PLATED	2							
10	1	123900-25060	SHAFT, IDLE GEAR	1							
11	1	129900-25110	GEAR ASSY, IDLE	1							
14	1	26106-080552	BOLT, M8X 55 PLATED	3							
15	1	129953-25300	BOLT	4							
16	1	129907-25900	GEAR, PUMP	1							
17	1	129900-26020	GEAR ASSY, PUMP	1							
19	1	129150-25920	BUSH, IDLE GEAR	1							1

Remarks

(1) Spare part.

N:Old  $\xrightarrow{\text{Yes}}$  New, Q:Old  $\xrightarrow{\text{No}}$  New, R:Old  $\xrightarrow{\text{Yes}}$  New, S:Old  $\xrightarrow{\text{No}}$  New, W:Add, Z:Discontinued, F:Interchangeable by set, K:Q'ty Change

# Fig.8. CRANKSHAFT & PISTON

(A)=4TNV94L-BXPHZ

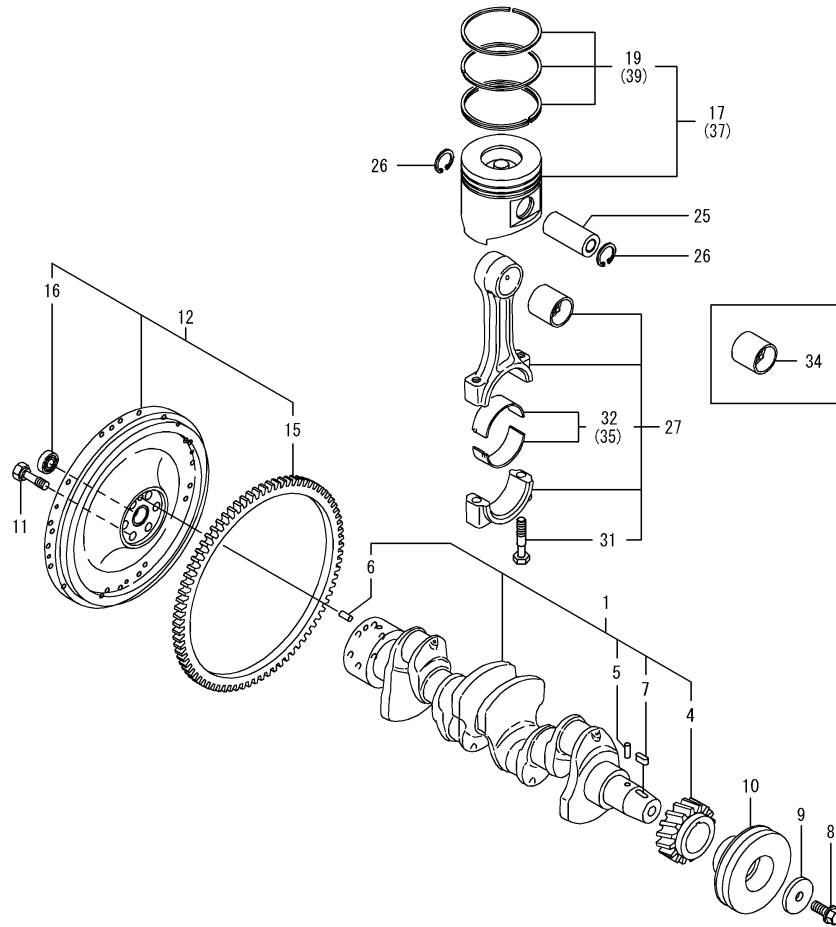
(B)=

(C)=

(D)=

(E)=

(F)=



No.	Lev.	Parts No.	Description	Q'ty						I	R
				(A)	(B)	(C)	(D)	(E)	(F)		
1	1	129902-21050	CRANKSHAFT ASSY	1							
4	2	129900-21220	GEAR, CRANKSHAFT	1							
5	2	121850-21290	PIN	1							
6	2	121850-21920	PIN, M10X22	1							
7	2	22512-070140	KEY, 7X 14	1							
8	1	129916-21610	BOLT	1							
9	1	129900-21640	WASHER	1							
10	1	129907-21660	V-PULLEY, 130	1							
11	1	121850-21130	BOLT, FLYWHEEL	6							
12	1	129906-21520	FLYWHEEL ASSY	1							
15	2	129900-21600	GEAR, RING	1							
16	2	129930-21690	BEARING, BALL 6202	1							
17	1	129906-22090	PISTON ASSY	4							
19	2	129906-22050	RING SET, PISTON	4							
25	1	120130-22301	PIN, PISTON	4							
26	1	22252-000300	RING, 30	8							
27	1	129900-23001	ROD ASSY, CONNECTING	4							
31	2	129900-23200	BOLT, CONNECTING ROD	8							
32	2	129900-23601	BEARING, CRANK PIN	4							
34	1	129900-23911	BEARING, PISTON PIN	4							1
35	1	129900-23611	BEARING, 0.25 US	4							2
37	1	129906-22910	PISTON ASSY, 0.25 OS	4							3
39	2	129916-22950	RING SET, 0.25 OS	4							3

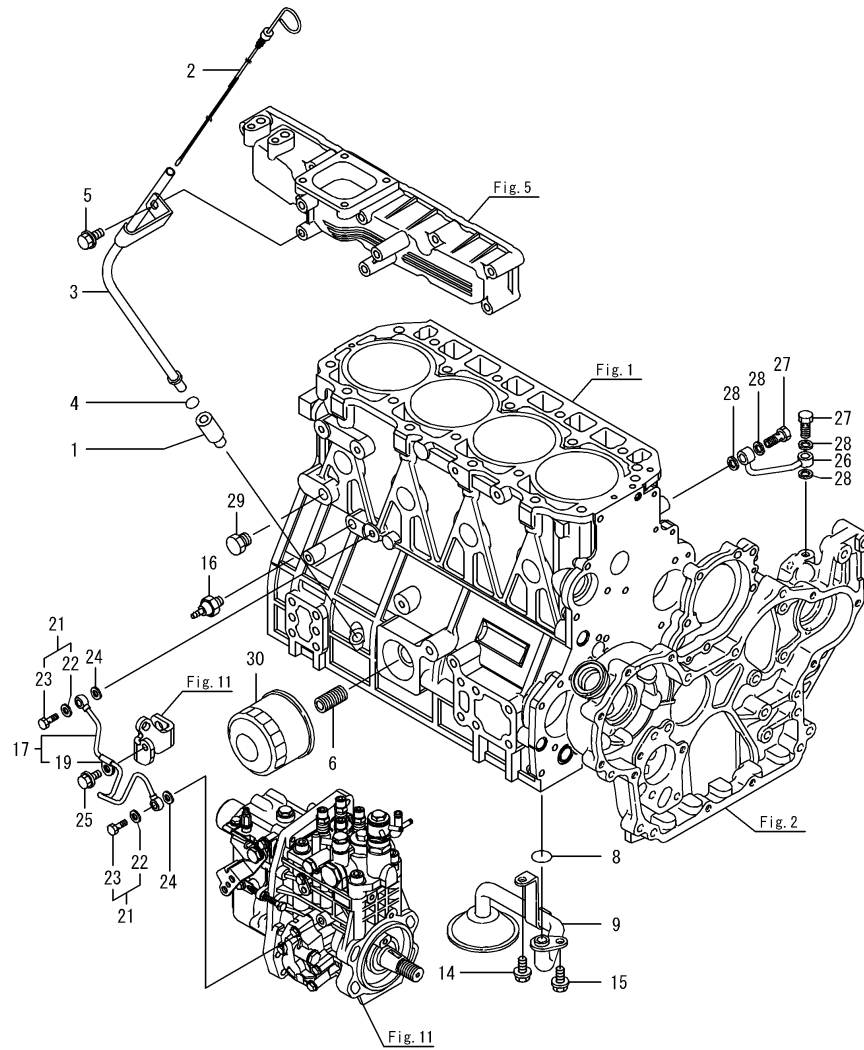
Remarks

- (1) Spare part.
- (2) Under-sized (U.S.=0.25) part.
- (3) Over-sized (O.S.=0.25) part.

Fig.9. LUB. OIL SYSTEM

(A)=4TNV94L-BXPZH  
(B)=  
(C)=

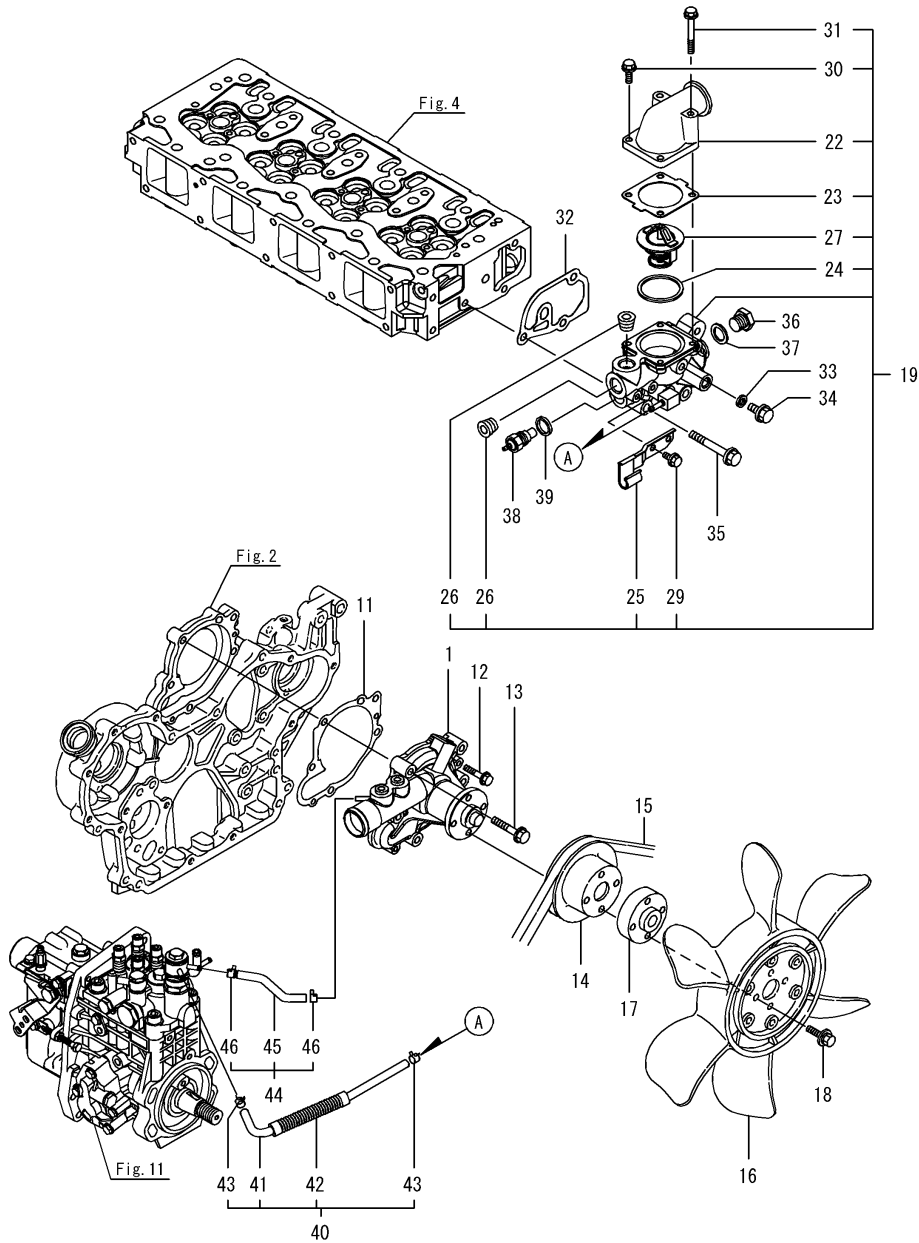
(D)=  
(E)=  
(F)=



No.	Lev.	Parts No.	Description	Q'ty						I	R
				(A)	(B)	(C)	(D)	(E)	(F)		
1	1	119260-34810	GUIDE, DIPSTICK	1							
2	1	129906-34820	DIPSTICK, OIL	1							
3	1	129951-34820	GUIDE, DIPSTICK	1							
4	1	24316-240100	O-RING, 4DP10A	1							
5	1	26106-080162	BOLT, M8X 16 PLATED	1							
6	1	119000-35140	BOLT, FILTER	1							
8	1	129900-32030	O-RING, P20	1							
9	1	129930-35000	PIPE ASSY, OIL INLET	1							
14	1	26106-080122	BOLT, M8X 12 PLATED	1							
15	1	26106-080122	BOLT, M8X 12 PLATED	1							
16	1	114250-39450	SWITCH, 0.5KG	1							
17	1	129907-39061	PIPE ASSY, OIL	1							
19	2	123907-39500	RETAINER	1							
21	1	129005-59830	BOLT ASSY, JOINT M8	2							
22	2	22190-080002	WASHER, SEAL 8	2							
23	2	23857-030000	BOLT, JOINT 3	2							
24	1	22190-080002	WASHER, SEAL 8	2							
25	1	26106-080122	BOLT, M8X 12 PLATED	1							
26	1	129930-39050	PIPE, OIL	1							
27	1	105010-39140	BOLT, PIPE JOINT	2							
28	1	22190-080002	WASHER, SEAL 8	4							
29	1	171056-49120	PLUG, DRAIN	1							
30	1	129150-35153	FILTER	1							1

Remarks  
(1) Spare part.

Fig.10. COOLING WATER SYSTEM



(A)=4TNV94L-BXPZH

(B)=

(C)=

(D)=

(E)=

(F)=

No.	Lev.	Parts No.	Description	Q'ty						I	R
				(A)	(B)	(C)	(D)	(E)	(F)		
1	1	129907-42001	PUMP ASSY, WATER	1							
11	1	129900-42020	GASKET, WATER PUMP	1							
12	1	26106-060302	BOLT, M6X 30 PLATED	2							
13	1	26106-080552	BOLT, M8X 55 PLATED	5							
14	1	129900-42450	V-PULLEY	1							
15	1	25132-004150	V-BELT, A41.5	1							
16	1	129900-44700	FAN, COOLING D=410	1							
17	1	119130-44760	SPACER, FAN	1							
18	1	26106-080302	BOLT, M8X 30 PLATED	4							
19	1	129906-49810	CASE ASSY,THERMOSTAT	1							
22	2	129980-49530	COVER, THERMOSTAT	1							
23	2	121850-49540	GASKET, THERMOSTAT	1							
24	2	121850-49550	GASKET, THERMOSTAT	1							
25	2	129907-49730	RETAINER, PIPE	1							
26	2	129916-49740	PLUG, R03	2							
27	2	121850-49801	THERMOSTAT	1							
29	2	26106-060122	BOLT, M6X 12 PLATED	1							
30	2	26106-060202	BOLT, M6X 20 PLATED	2							
31	2	26106-060552	BOLT, M6X 55 PLATED	2							
32	1	129900-49870	GASKET	1							
33	1	23414-080000	GASKET, 8X1.0	1							
34	1	26106-080122	BOLT, M8X 12 PLATED	1							
35	1	26106-080602	BOLT, M8X 60 PLATED	3							
36	1	121450-42450	PLUG, M16	1							
37	1	124465-44950	GASKET, 16	1							
38	1	124250-49351	SENSOR	1							
39	1	129150-49360	GASKET	1							
40	1	129907-49610	HOSE ASSY, WATER	1							
41	2	129907-49710	PIPE ASSY, WATER	1							
42	2	129907-49750	TUBE, CORRUGATED	1							
43	2	124722-59050	CLIP, HOSE 9	2							
44	1	129907-49620	HOSE ASSY, WATER	1							
45	2	129907-49720	PIPE ASSY, WATER	1							
46	2	124722-59050	CLIP, HOSE 9	2							

Fig.11. FUEL INJECTION PUMP

(A)=4TNV94L-BXPZH

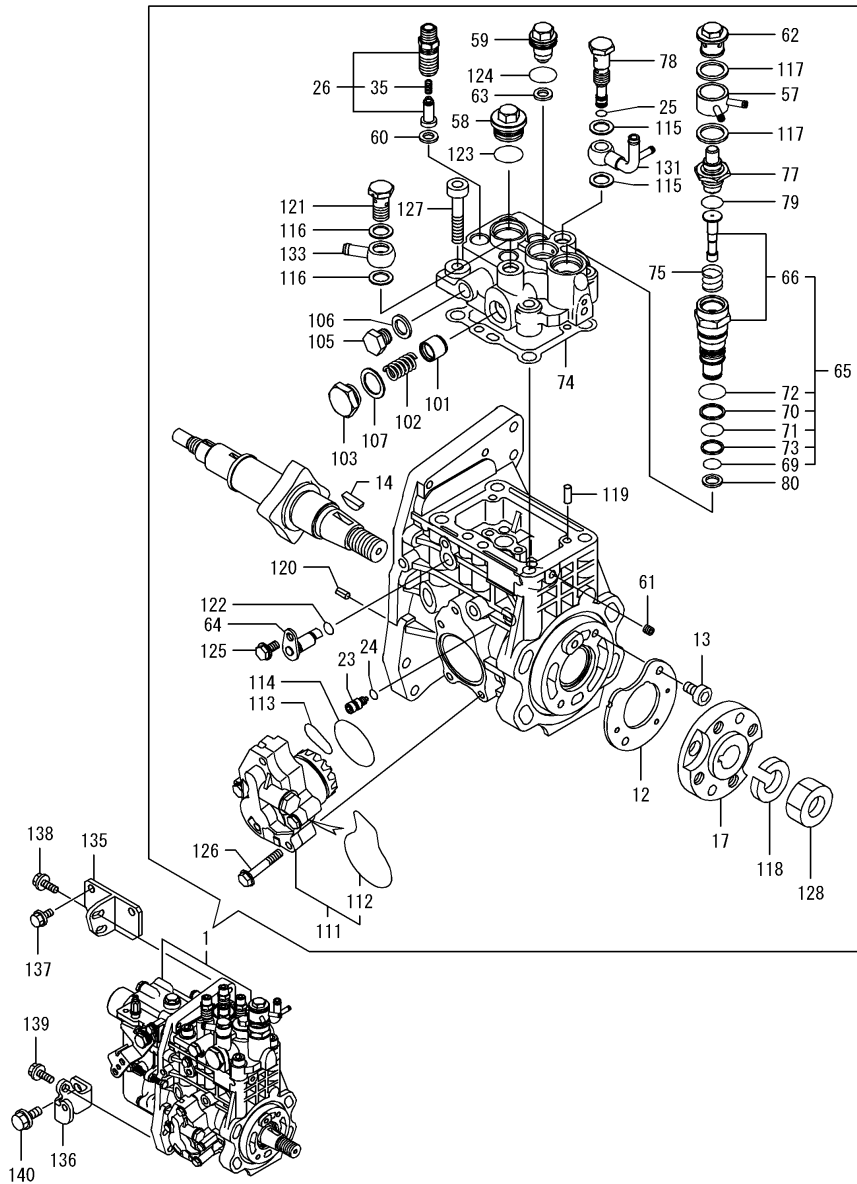
(B)=

(C)=

(D)=

(E)=

(F)=



No.	Lev.	Parts No.	Description	Q'ty						I	R
				(A)	(B)	(C)	(D)	(E)	(F)		
1	1	729906-51351	FIE ASSY	1							1
12	2	129928-51900	COVER	1							
13	2	129008-51920	BOLT, M6X10	2							
14	2	144626-51090	KEY, 5X19	1							
17	2	158563-51150	FLANGE	1							
23	2	158600-51270	STOPPER, TAPPET	1							
24	2	158563-51281	O-RING, 4D S6	1							
25	2	158563-51281	O-RING, 4D S6	1							
26	2	129509-51390	VALVE ASSY, DELIVERY	4							
35	3	158563-51330	SPRING, DELIVERY	4							
57	2	158553-51551	JOINT	1							
58	2	158601-51550	PLUG	1							
59	2	129907-51560	PLUG, BARREL	1							
60	2	158552-51571	GASKET	4							
61	2	158557-51570	PLUG	1							
62	2	158601-51570	PLUG	1							
63	2	129906-51580	GASKET	1							
64	2	158552-51580	LIFTER	1							
65	2	119802-51590	TIMER SET	1							
66	3	119802-51600	TIMER ASSY	1							
69	3	158553-51670	O-RING, 1011	1							
70	3	119802-51680	RING, BACK UP	1							
71	3	119802-51690	O-RING	1							
72	3	24356-190200	O-RING, 4D19020	1							
73	3	24372-000150	RING, BACK UP T2P15	1							
74	2	158560-51600	GASKET	1							
75	2	158553-51630	SPRING, TIMER	1							
77	2	158553-51640	ELEMENT	1							
78	2	158601-51650	JOINT, OVER FLOW	1							
79	2	158553-51660	O-RING, P14	1							
80	2	158553-51680	GASKET	1							
101	2	158601-51770	PISTON	1							
102	2	158552-51781	SPRING	1							
103	2	158601-51790	PLUG	1							
105	2	158553-51930	PLUG, M12	1							
106	2	22190-120002	WASHER, SEAL 12	1							
107	2	22190-180002	WASHER, SEAL 18	1							
111	2	158552-52100	PUMP ASSY, FUEL FEED	1							
112	3	158552-52500	O-RING	1							
113	2	158552-52311	O-RING	1							
114	2	158552-52400	O-RING, 4E S42	1							
115	2	22190-120002	WASHER, SEAL 12	2							
116	2	22190-120002	WASHER, SEAL 12	2							
117	2	22190-180002	WASHER, SEAL 18	2							
118	2	22217-180000	WASHER, SPRING 18	1							
119	2	22312-050140	PIN, PARALLEL 5X14	2							
120	2	22351-050010	PIN, SPRING 5.0X10	2							
121	2	23857-060000	BOLT, JOINT 6	1							
122	2	24311-000070	O-RING, 1AP7.0	1							
123	2	24356-190200	O-RING, 4D19020	1							
124	2	24356-240210	O-RING, 4D24021	1							

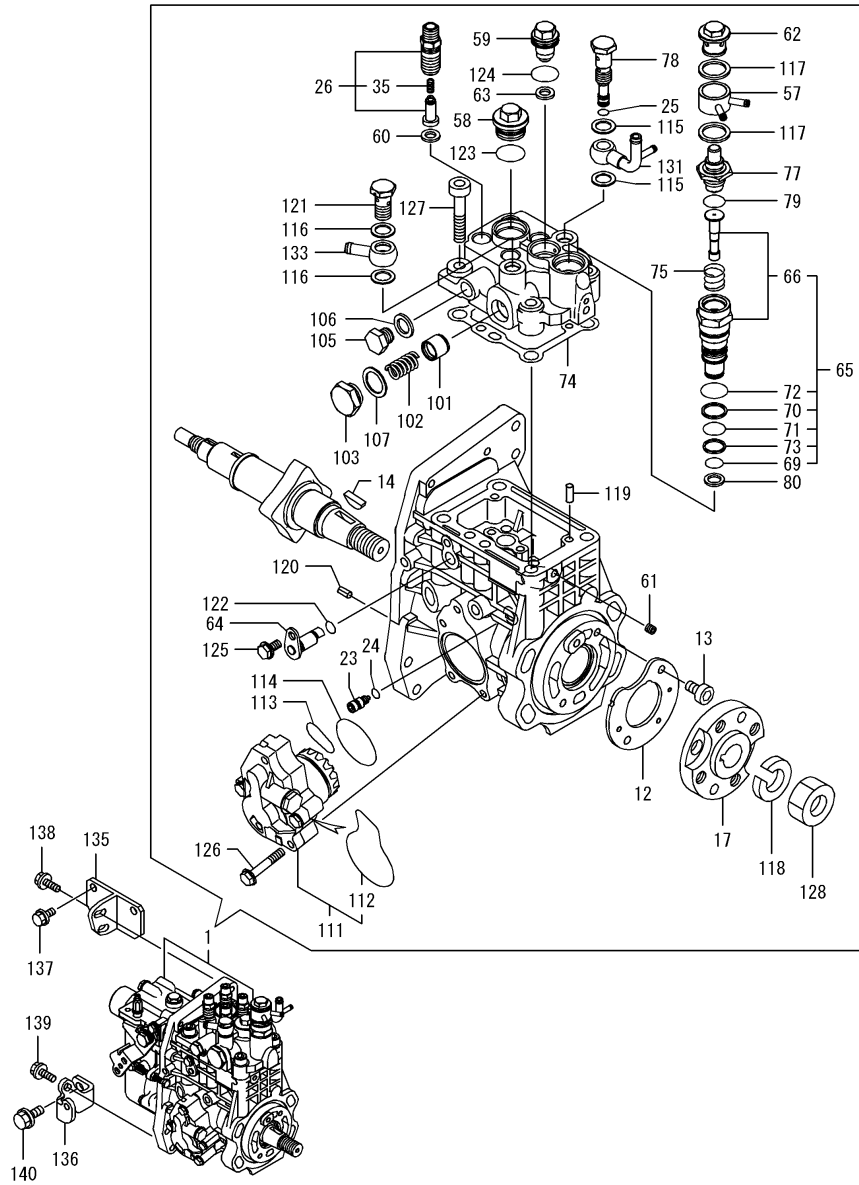
Remarks

(1)Governor(Fig.12)is incorporated in this Fuel Injection Pump (Ref.1).

# Fig.11. FUEL INJECTION PUMP

(A)=4TNV94L-BXPZH  
(B)=  
(C)=

(D)=  
(E)=  
(F)=



No.	Lev.	Parts No.	Description	Q'ty						I	R
				(A)	(B)	(C)	(D)	(E)	(F)		
125	2	26106-060102	BOLT, M6X 10 PLATED	1							
126	2	26106-060352	BOLT, M6X 35 PLATED	4							
127	2	26450-100452	BOLT, M10X 45	4							
128	2	26776-180002	NUT, LOCK M18	1							
131	2	158552-51670	JOINT, OVER FLOW	1							
133	2	129916-59020	JOINT, PIPE 12	1							
135	1	129907-01950	RETAINER	1							
136	1	129907-01960	RETAINER	1							
137	1	26106-080162	BOLT, M8X 16 PLATED	2							
138	1	26106-080222	BOLT, M8X 22 PLATED	2							
139	1	26106-080222	BOLT, M8X 22 PLATED	1							
140	1	26106-100202	BOLT, M10X 20 PLATED	1							

Remarks

(1)Governor(Fig.12)is incorporated in this Fuel Injection Pump (Ref.1).

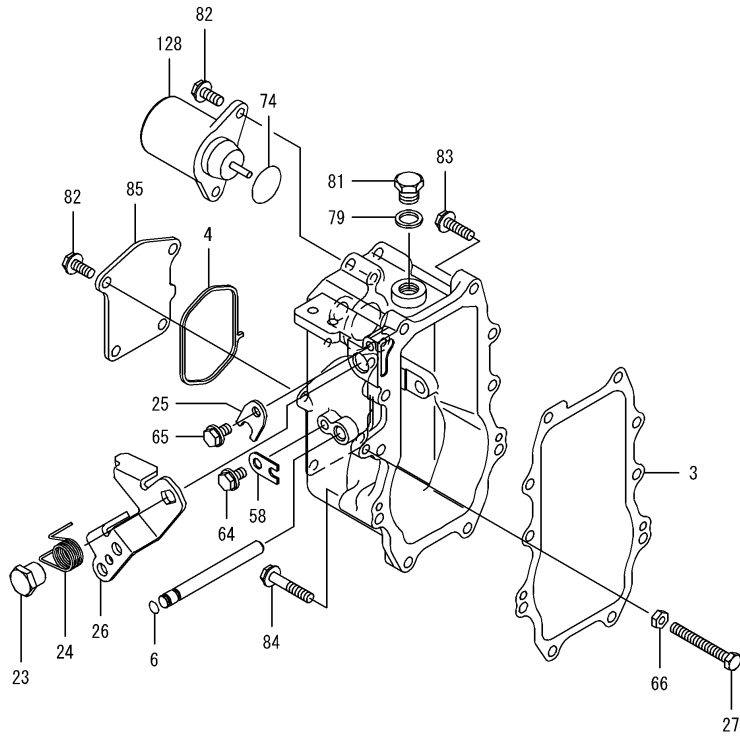
N:Old  $\xrightarrow{\text{Yes}}$  New, Q:Old  $\xrightarrow{\text{No}}$  New, R:Old  $\xrightarrow{\text{Yes}}$  New, S:Old  $\xrightarrow{\text{No}}$  New, W:Add, Z:Discontinued, F:Interchangeable by set, K:Q'ty Change



Fig.12. GOVERNOR

(A)=4TNV94L-BXPZH  
(B)=  
(C)=

(D)=  
(E)=  
(F)=



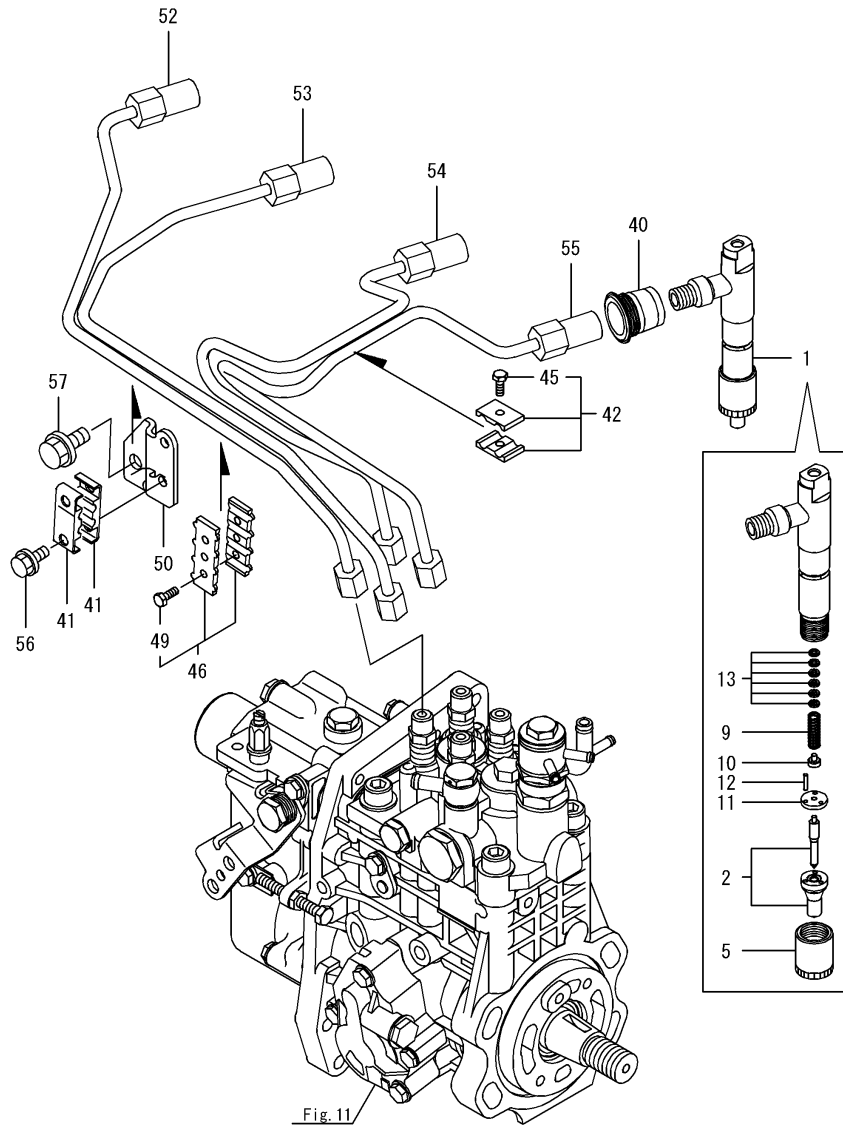
No.	Lev.	Parts No.	Description	Q'ty						I	R
				(A)	(B)	(C)	(D)	(E)	(F)		
3	2	158560-61050	GASKET	1							
4	2	158560-61071	GASKET	1							
6	2	129155-51280	O-RING, S6	1							
23	2	129255-61410	NUT, LOCK	1							
24	2	119807-61420	SPRING, RETURN	1							
25	2	158560-61430	RETAINER, SHAFT	1							
26	2	158560-61442	LEVER, REGULATOR	1							
27	2	129155-61460	BOLT, IDLE	1							
58	2	119660-61901	RETAINER, SHAFT	1							
64	2	26106-060102	BOLT, M6X 10 PLATED	1							
65	2	26106-060102	BOLT, M6X 10 PLATED	1							
66	2	26756-060002	NUT, LOCK M6	1							
74	2	158552-61900	O-RING	1							
79	2	22190-160002	WASHER, SEAL 16	1							
81	2	23887-160002	PLUG, 16	1							
82	2	26106-060142	BOLT, M6X 14 PLATED	6							
83	2	26106-060252	BOLT, M6X 25 PLATED	8							
84	2	26106-060402	BOLT, M6X 40 PLATED	2							
85	2	158560-61061	COVER, GOVERNOR CASE	1							
128	2	119653-77950	SOLENOID, STOP	1							

Remarks

\*This figure(Governor)is incorporated in the Fuel Injection Pump (Fig.11).

N:Old  $\xrightarrow{\text{Yes}}$  New, Q:Old  $\xrightarrow{\text{No}}$  New, R:Old  $\xrightarrow{\text{Yes}}$  New, S:Old  $\xrightarrow{\text{No}}$  New, W:Add, Z:Discontinued, F:Interchangeable by set, K:Q'ty Change

# Fig.13. FUEL INJECTION VALVE

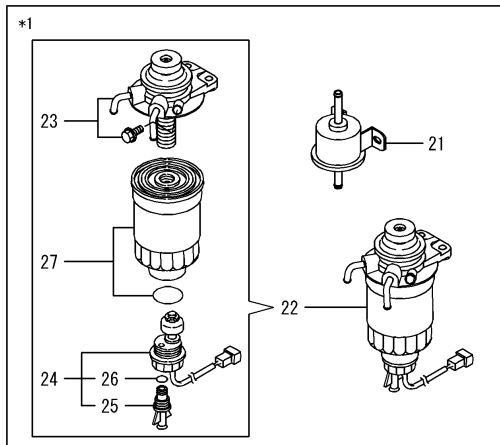
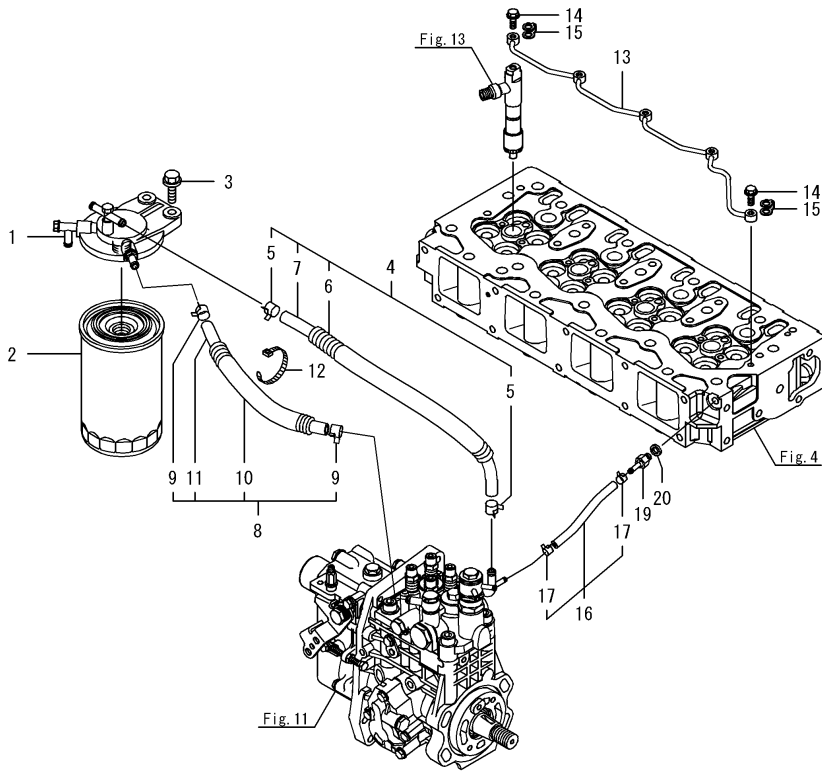


(A)=4TNV94L-BXPZH  
(B)=  
(C)=

(D)=  
(E)=  
(F)=

No.	Lev.	Parts No.	Description	Q'ty						I	R
				(A)	(B)	(C)	(D)	(E)	(F)		
1	1	729906-53100	VALVE ASSY,INJECTION	4							
2	2	129906-53000	VALVE ASSY,INJECTION	4							
5	2	114250-53080	NUT, NOZZLE D16.95	4							
9	2	114250-53120	SPRING, NOZZLE	4							
10	2	114250-53130	SEAT, SPRING	4							
11	2	114250-53140	PLATE	4							
12	2	114250-53210	PIN	8							
13	2	119803-53400	SHIM SET	4							
40	1	123907-11601	SEAL	4							
41	1	122780-59100	RETAINER	2							
42	1	119305-59120	RETAINER, PIPE	1							
45	2	129150-59131	BOLT, M4X14	1							
46	1	129550-59120	RETAINER, PIPE	1							
49	2	129150-59131	BOLT, M4X14	2							
50	1	129907-59710	SUPPORT	1							
52	1	129906-59810	PIPE ASSY, INJECTION	1							
53	1	129906-59820	PIPE ASSY, INJECTION	1							
54	1	129906-59830	PIPE ASSY, INJECTION	1							
55	1	129906-59840	PIPE ASSY, INJECTION	1							
56	1	26106-060162	BOLT, M6X 16 PLATED	2							
57	1	26106-080182	BOLT, M8X 18 PLATED	1							

Fig.14. FUEL LINE



(A)=4TNV94L-BXPZH

(B)=

(C)=

(D)=

(E)=

(F)=

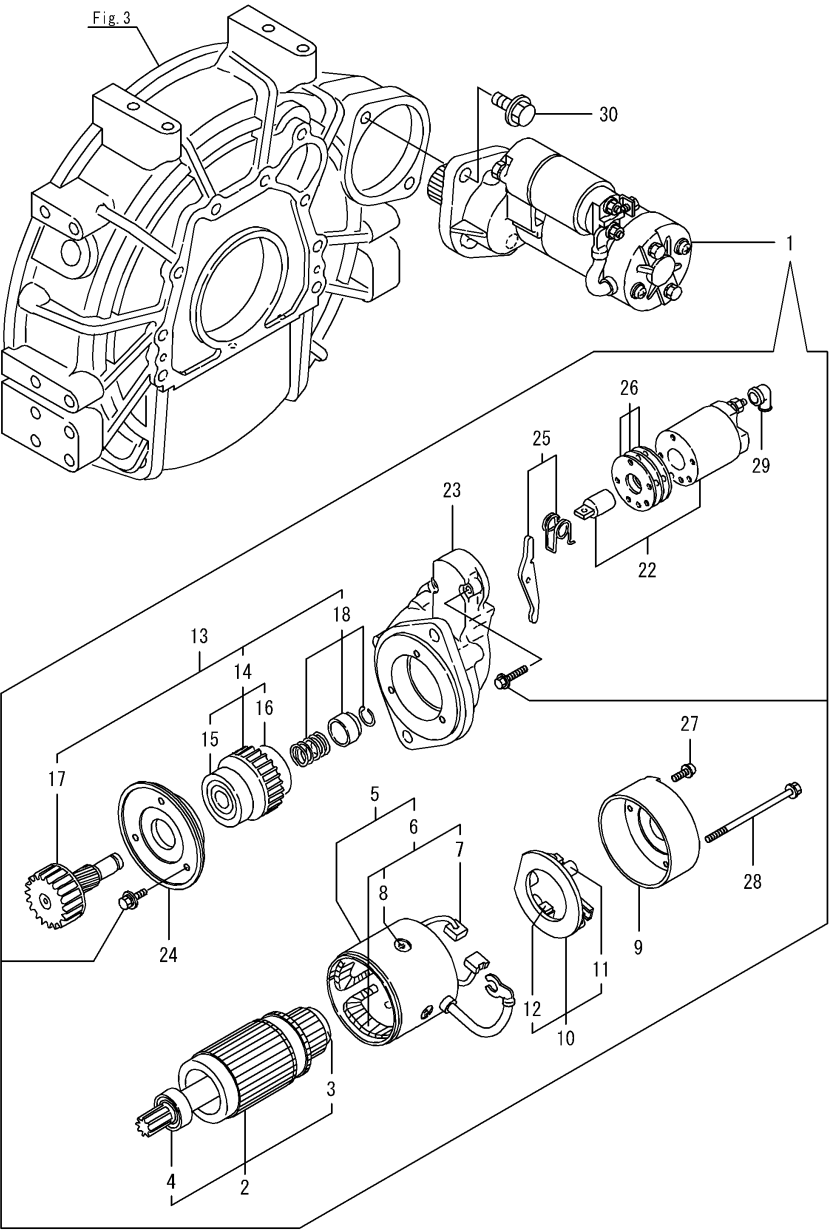
No.	Lev.	Parts No.	Description	Q'ty						I	R
				(A)	(B)	(C)	(D)	(E)	(F)		
1	1	129004-55612	BRACKET, FILTER	1							
2	1	129907-55801	FILTER, FUEL	1							
3	1	26106-080302	BOLT, M8X 30 PLATED	2							
4	1	129457-59010	PIPE ASSY, FUEL	1							
5	2	124766-59050	CLIP, HOSE 11.5	2							
6	2	129957-59120	TUBE, CORRUGATED	1							
7	2	105025-59750	PIPE, FUEL	1							
8	1	129981-59010	PIPE ASSY, FUEL	1							
9	2	124766-59050	CLIP, HOSE 11.5	2							
10	2	129950-59221	TUBE, CORRUGATED	1							
11	2	129980-59510	PIPE, FUEL	1							
12	1	121750-59890	BAND, 140	1							
13	1	129907-59140	PIPE ASSY, RETURN	1							
14	1	123907-59540	BOLT, PIPE JOINT M6	5							
15	1	123907-59550	GASKET	5							
16	1	129486-59551	PIPE ASSY, RETURN	1							
17	2	124722-59050	CLIP, HOSE 9	2							
19	1	123907-59560	JOINT	1							
20	1	22190-080002	WASHER, SEAL 8	1							
21	1	119225-52102	PUMP ASSY, FUEL FEED	1							
22	1	129917-55801	FILTER ASSY, FUEL	1							
23	2	129917-55810	BODY	1							
24	2	129917-55821	SENSOR ASSY	1							
25	3	129917-55830	PLUG, DRAIN	1							
26	3	129917-55840	O-RING	1							
27	2	129917-55850	ELEMENT KIT	1							

Remarks

\*1.Loose part.

N:Old  $\xrightarrow{\text{Yes}}$  New, Q:Old  $\xrightarrow{\text{No}}$  New, R:Old  $\xrightarrow{\text{Yes}}$  New, S:Old  $\xrightarrow{\text{No}}$  New, W:Add, Z:Discontinued, F:Interchangeable by set, K:Q'ty Change

Fig.15. STARTING MOTOR



(A)=4TNV94L-BXPZH  
(B)=  
(C)=

(D)=  
(E)=  
(F)=

No.	Lev.	Parts No.	Description	Q'ty						I	R
				(A)	(B)	(C)	(D)	(E)	(F)		
1	1	129900-77040	STARTER	1							
2	2	129900-77120	ARMATURE ASSY	1							
3	3	171008-77410	BEARING, BALL	1							
4	3	171008-77420	BEARING, BALL	1							
5	2	129900-77130	YOKE ASSY	1							
6	3	129900-77140	COIL ASSY, FIELD	1							
7	4	129900-77450	BRUSH	2							
8	4	171008-77450	SCREW	4							
9	2	129900-77150	COVER	1							
10	2	129900-77160	HOLDER ASSY, BRUSH	1							
11	3	X2130631300	SPRING, BRUSH	4							
12	3	129900-77450	BRUSH	2							
13	2	129900-77170	CLUTCH	1							
14	3	129900-77180	CLUTCH ASSY	1							
15	4	X2114955020	BEARING, BALL	1							
16	4	129900-77190	BEARING, BALL	1							
17	3	129900-77270	SHAFT, PINION	1							
18	3	171008-77670	STOPPER SET	1							
22	2	129900-77280	SWITCH ASSY	1							
23	2	129900-77290	CASE, GEAR	1							
24	2	129900-77380	RETAINER, BEARING	1							
25	2	129900-77390	LEVER ASSY, SHIFT	1							
26	2	129900-77420	COVER KIT	1							
27	2	129900-77430	SCREW, M4X10	2							
28	2	129685-77640	BOLT, THROUGH	2							
29	2	171008-77750	COVER	1							
30	1	26106-120252	BOLT, M12X 25 PLATED	2							

Fig.16. GENERATOR

(A)=4TNV94L-BXPZH

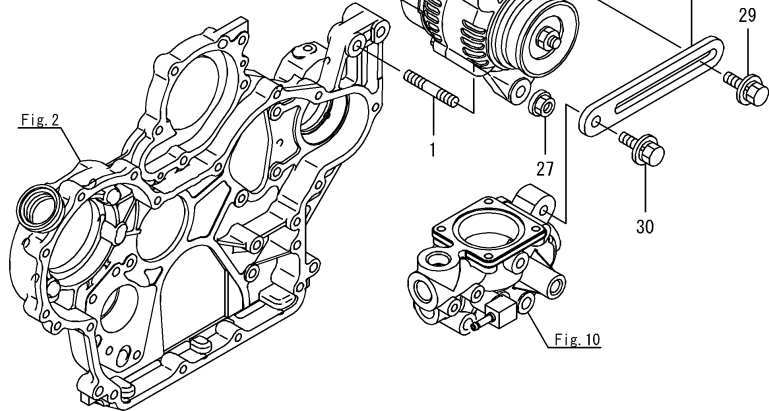
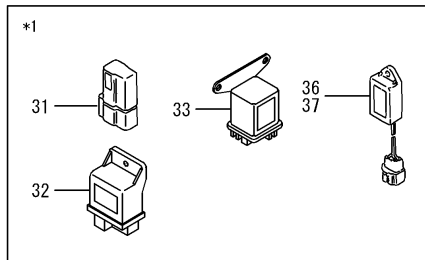
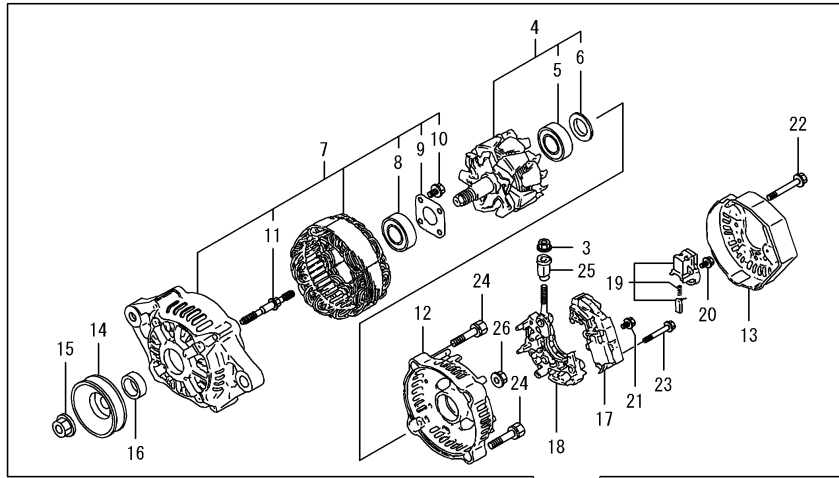
(B)=

(C)=

(D)=

(E)=

(F)=



No.	Lev.	Parts No.	Description	Q'ty						I	R
				(A)	(B)	(C)	(D)	(E)	(F)		
1	1	129795-01900	STUD	1							
2	1	119626-77210	ALTERNATOR, 12V-55A	1							
3	2	X9490561001	NUT	1							
4	2	129052-77380	ROTOR ASSY	1							
5	3	123501-79240	BEARING, BALL	1							
6	3	119620-79250	COVER	1							
7	2	129052-77422	FRAME ASSY	1							
8	3	119620-79200	BEARING, BALL	1							
9	3	119620-79210	PLATE, RETAINER	1							
10	3	119620-79220	SCREW	4							
11	3	119620-79230	STUD	2							
12	2	128401-77440	FRAME	1							
13	2	119626-77450	COVER	1							
14	2	119620-77461	PULLEY	1							
15	2	119620-77471	NUT	1							
16	2	119620-77490	COLLAR	1							
17	2	129423-77710	REGULATOR ASSY	1							
18	2	129052-79260	HOLDER	1							
19	2	129052-79270	HOLDER, BRUSH	1							
20	2	119620-79290	SCREW	6							
21	2	119620-79300	SCREW	1							
22	2	119620-79310	BOLT	3							
23	2	119620-79320	SCREW	2							
24	2	119620-79330	BOLT	2							
25	2	119620-79340	BUSH, INSULATION	1							
26	2	119620-79350	NUT	2							
27	1	26306-100002	NUT, M10	1							
28	1	129900-77330	ADJUSTER	1							
29	1	119810-77340	BOLT, ADJUSTER	1							
30	1	26014-080252	BOLT, M8X 25	1							
31	1	119643-66900	DIODE	1							
32	1	119802-77200	RELAY, SAFETY	1							
33	1	119650-77911	RELAY ASSY, GLOW	1							
36	1	128300-77920	TIMER	1							
37	1	129211-77920	TIMER	1							

Remarks

\*1.Loose part.

N:Old  $\xrightarrow{\text{Yes}}$  New, Q:Old  $\xrightarrow{\text{No}}$  New, R:Old  $\xrightarrow{\text{Yes}}$  New, S:Old  $\xrightarrow{\text{No}}$  New, W:Add, Z:Discontinued, F:Interchangeable by set, K:Q'ty Change

## Parts No. Index

Parts No.	Fig. No.	Ref. No.
105010-39140	9	27
105025-59750	14	7
114250-39450	9	16
114250-53080	13	5
114250-53120	13	9
114250-53130	13	10
114250-53140	13	11
114250-53210	13	12
119000-35140	9	6
119005-77051	5	8
119129-77020	5	6
119129-77520	5	9
119130-44760	10	17
119131-18320	6	6
119225-52102	14	21
119260-34810	9	1
119305-59120	13	42
119593-11301	4	28
119620-11180	4	13
119620-77461	16	14
119620-77471	16	15
119620-77490	16	16
119620-79200	16	8
119620-79210	16	9
119620-79220	16	10
119620-79230	16	11
119620-79250	16	6
119620-79290	16	20
119620-79300	16	21
119620-79310	16	22
119620-79320	16	23
119620-79330	16	24
119620-79340	16	25
119620-79350	16	26
119625-11880	4	24
119626-77210	16	2
119626-77450	16	13
119640-01640	3	9
119640-61400	4	60
119643-66900	16	31
119650-77911	16	33
119653-77950	12	128
119660-61901	12	58
119802-11870	4	23
119802-13610	6	4
119802-13720	6	5
119802-51590	11	65
119802-51600	11	66
119802-51680	11	70
119802-51690	11	71

Parts No.	Fig. No.	Ref. No.
119802-77200	16	32
119803-11340	4	14
119803-53400	13	13
119807-61420	12	24
119810-77340	16	29
120130-22301	8	25
121023-26071	2	44
121450-42450	10	36
121750-59890	14	12
121850-21130	8	11
121850-21290	8	5
121850-21920	8	6
121850-49540	10	23
121850-49550	10	24
121850-49801	10	27
121850-77021	5	7
122780-59100	13	41
123501-79240	16	5
123900-25060	7	10
123907-03100	4	53
123907-03110	4	54
123907-03120	4	55
123907-03140	4	56
123907-11280	4	33
123907-11550	4	1
123907-11601	13	40
123907-11820	4	20
123907-11830	4	19
123907-39500	9	19
123907-59540	14	14
123907-59550	14	15
123907-59560	14	19
124160-01751	2	42
	4	48
124160-11340	4	15
124160-11360	4	63
124250-49351	10	38
124465-44950	10	37
124722-59050	10	43
	14	46
	14	17
124766-59050	14	5
		9
128300-77920	16	36
128401-77440	16	12
129004-55612	14	1
129005-59830	9	21
129008-51920	11	13
129052-77380	16	4
129052-77422	16	7

Parts No.	Fig. No.	Ref. No.
129052-79260	16	18
129052-79270	16	19
129100-01580	2	5
	3	1
129150-02450	7	4
129150-11230	4	36
		40
129150-11750	4	18
		37
		41
129150-14200	7	1
129150-25920	7	19
129150-35153	9	30
129150-49360	10	39
129150-59131	13	45
		49
129155-51280	12	6
129155-61460	12	27
129211-77920	16	37
129255-61410	12	23
129423-77710	16	17
129457-59010	14	4
129486-59551	14	16
129509-51390	11	26
129550-59120	13	46
129685-77640	15	28
129795-01900	16	1
129900-01200	1	28
129900-01250	1	5
129900-01780	2	4
129900-01850	2	47
129900-01870	2	48
129900-02020	1	7
129900-02341	1	34
129900-02410	1	10
129900-02931	1	25
129900-02941	1	37
129900-13120	6	1
129900-13150	6	3
129900-14110	7	7
129900-14140	2	27
129900-21220	8	4
129900-21600	8	15
129900-21640	8	9
129900-23001	8	27
129900-23200	8	31
129900-23601	8	32
129900-23611	8	35
129900-23911	8	34
129900-25110	7	11

Parts No.	Fig. No.	Ref. No.
129900-26020	7	17
129900-26250	2	28
129900-32001	2	15
129900-32030	2	29
	9	8
129900-32040	2	30
129900-42020	10	11
129900-42450	10	14
129900-44700	10	16
129900-49870	10	32
129900-77040	15	1
129900-77120	15	2
129900-77130	15	5
129900-77140	15	6
129900-77150	15	9
129900-77160	15	10
129900-77170	15	13
129900-77180	15	14
129900-77190	15	16
129900-77270	15	17
129900-77280	15	22
129900-77290	15	23
129900-77330	16	28
129900-77380	15	24
129900-77390	15	25
129900-77420	15	26
129900-77430	15	27
129900-77450	15	7
		12
129902-21050	8	1
129906-01350	1	29
129906-01610	3	2
129906-21520	8	12
129906-22050	8	19
129906-22090	8	17
129906-22910	8	37
129906-34820	9	2
129906-49810	10	19
129906-51580	11	63
129906-53000	13	2
129906-59810	13	52
129906-59820	13	53
129906-59830	13	54
129906-59840	13	55
129907-01190	1	30
129907-01950	11	135
129907-01960	11	136
129907-03011	4	50
129907-03061	4	51
129907-03070	4	52

## Parts No. Index

Parts No.	Fig. No.	Ref. No.
129907-07900	4	67
129907-11100	4	10
129907-11110	4	11
129907-11120	4	12
129907-11250	4	30
129907-11260	4	31
129907-11270	4	32
129907-11321	4	49
129907-11341	4	29
129907-11510	4	16
129907-11650	4	34
129907-11660	4	38
129907-11700	4	2
129907-11800	4	66
129907-11910	4	25
129907-11920	4	42
129907-11950	4	26
129907-12100	5	1
129907-12110	5	3
129907-14400	7	2
129907-21660	8	10
129907-25900	7	16
129907-39061	9	17
129907-42001	10	1
129907-49610	10	40
129907-49620	10	44
129907-49710	10	41
129907-49720	10	45
129907-49730	10	25
129907-49750	10	42
129907-51560	11	59
129907-55801	14	2
129907-59140	14	13
129907-59710	13	50
129908-14590	7	3
129916-01790	3	7
129916-21610	8	8
129916-22950	8	39
129916-49740	10	26
129916-59020	11	133
129917-55801	14	22
129917-55810	14	23
129917-55821	14	24
129917-55830	14	25
129917-55840	14	26
129917-55850	14	27
129928-51900	11	12
129930-01710	3	8
129930-13201	6	8
129930-21690	8	16

Parts No.	Fig. No.	Ref. No.
129930-35000	9	9
129930-39050	9	26
129933-11310	4	59
129950-59221	14	10
129951-01740	2	6
129951-34820	9	3
129953-25300	7	15
129957-59120	14	6
129962-01500	2	8
129980-49530	10	22
129980-59510	14	11
129981-59010	14	8
144626-51090	11	14
158552-51571	11	60
158552-51580	11	64
158552-51670	11	131
158552-51781	11	102
158552-52100	11	111
158552-52311	11	113
158552-52400	11	114
158552-52500	11	112
158552-61900	12	74
158553-51551	11	57
158553-51630	11	75
158553-51640	11	77
158553-51660	11	79
158553-51670	11	69
158553-51680	11	80
158553-51930	11	105
158557-51570	11	61
158560-51600	11	74
158560-61050	12	3
158560-61061	12	85
158560-61071	12	4
158560-61430	12	25
158560-61442	12	26
158563-51150	11	17
158563-51281	11	24
		25
158563-51330	11	35
158600-51270	11	23
158601-51550	11	58
158601-51570	11	62
158601-51650	11	78
158601-51770	11	101
158601-51790	11	103
171008-77410	15	3
171008-77420	15	4
171008-77450	15	8
171008-77670	15	18

Parts No.	Fig. No.	Ref. No.
171008-77750	15	29
171051-01921-Z	1	6
171056-49120	9	29
22190-080002	9	22
		24
		28
	14	20
22190-120002	11	106
		115
		116
22190-160002	12	79
22190-180002	11	107
		117
22190-220002	3	11
22217-180000	11	118
22252-000300	8	26
22312-050140	11	119
22312-120200	3	4
22351-050010	11	120
22351-060012	1	11
22512-070140	7	8
	8	7
22857-500100	4	61
		62
23414-080000	10	33
23857-030000	9	23
23857-060000	11	121
23876-020000	4	7
23876-030000	1	12
		13
		14
	4	8
23887-160002	12	81
24311-000070	2	31
	11	122
24311-000120	4	27
		64
24311-000320	2	43
	4	65
	9	4
24316-240100	9	4
24321-000850	2	45
24351-030750	2	32
24356-190200	11	72
		123
24356-240210	11	124
24372-000150	11	73
25132-004150	10	15
26014-080252	16	30
26106-060102	11	125
	12	64

Parts No.	Fig. No.	Ref. No.
26106-060102	12	65
26106-060122	10	29
26106-060142	12	82
26106-060162	13	56
26106-060202	10	30
26106-060252	12	83
26106-060302	10	12
26106-060352	11	126
26106-060402	12	84
26106-060552	10	31
26106-080122	3	12
	9	14
		15
		25
	10	34
26106-080142	7	9
26106-080162	2	33
		49
	4	68
	9	5
	11	137
26106-080182	13	57
26106-080202	2	34
		35
26106-080222	11	138
		139
26106-080302	10	18
	14	3
26106-080402	2	36
	4	44
	5	10
26106-080452	2	37
		38
26106-080552	5	4
	7	14
	10	13
26106-080602	4	45
		46
	10	35
26106-080702	2	39
26106-080752	2	40
26106-080852	5	5
26106-080902	5	11
26106-100202	2	46
	11	140
26106-120252	15	30
26206-100202	3	5
26206-100352	3	6
26216-100302	2	26
26226-080222	4	43

# Parts No. Index

Parts No.	Fig. No.	Ref. No.
26306-080002	4	47
	6	7
26306-100002	2	41
	16	27
26450-100452	11	127
26756-060002	12	66
26776-180002	11	128
27241-300000	1	15
27241-400000	4	9
27310-070001	4	21
729900-02801	1	31
729906-01561	1	1
729906-51351	11	1
729906-53100	13	1
729907-01550	2	1
X2114955020	15	15
X2130631300	15	11
X9490561001	16	3

Parts No.	Fig. No.	Ref. No.
-----------	----------	----------

Parts No.	Fig. No.	Ref. No.
-----------	----------	----------

Parts No.	Fig. No.	Ref. No.
-----------	----------	----------