

# **HANGCHA**

Hangcha Group Co., Ltd

Address: 666 Xiangfu Road , Qingshanhu  
science and Technology City, Hangzhou,  
Zhejiang.

TEL: +86-571-87938011  
+86-571-87938001

Articulating boom lifts

**HZ210AI**

**Spare parts manual**

# PREFACE

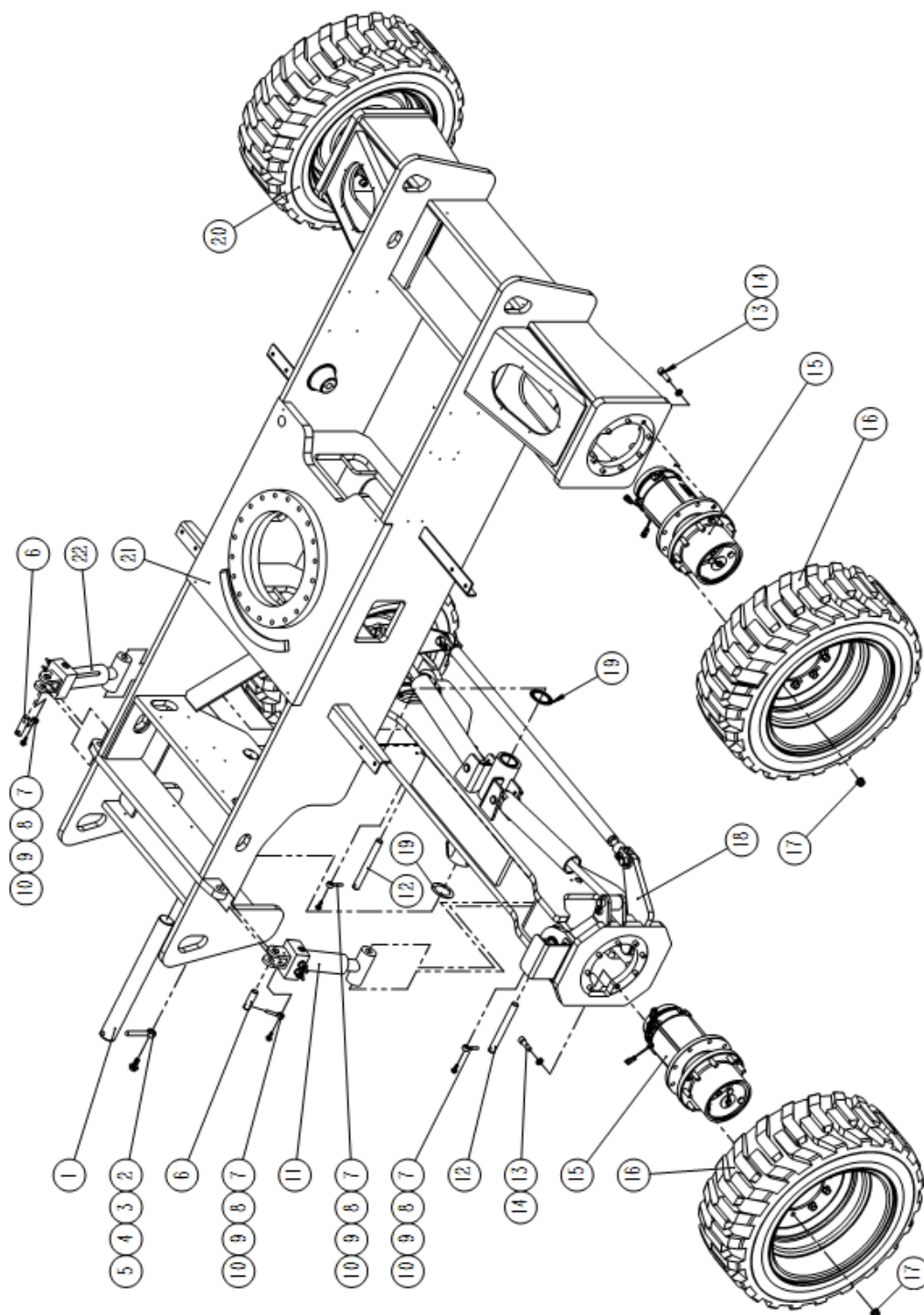
<b>Chapter 1 chassis</b> .....	4
Figure1-2 Front axle assembly .....	9
Figure1-3 Box and chassis assembly .....	14
Figure1-4 Chassis A assembly (一) .....	18
Figure1-5 Chassis A assembly (二) .....	22
<b>Chapter 2 turntable</b> .....	25
Figure2-1 Rotating frame and chassis a assembly .....	26
Figure2-2 Counterweight and rotating frame assembly.....	30
Figure2-3 Turntable assembly.....	32
Figure2-4 Turntable assembly (二) .....	39
<b>Chapter 3 Boom</b> .....	45
Figure3-1 Assembly of boom and rotating frame.....	46
Figure3-2 Boom assembly.....	51
Figure 3-4 Upper secondary boom and telescopic boom assembly .....	59
Figure 3-5 Upper secondary boom and telescopic boom assembly (二) .....	64
Figure3-6 Jib and lift boom assembly .....	67
Figure3-7 Jib Assembly .....	70
<b>Chapter 4 Working platform</b> .....	74
Figure4-1 Working platform and jib Assembly .....	75
Figure4-2 Working platform Assembly.....	78

<b>Chapter 5 Hydraulic system</b> .....	84
Figure5-1 Hydraulic Circuit .....	85
Figure 5-2 Tank Assembly .....	92
Figure5-3 Oscillation cylinder assembly .....	95
Figure 5-4 Lower secondary boom cylinder .....	98
Figure 5-5 Upper secondary boom cylinder.....	101
Figure5-6 Telescopic boom cylinder.....	104
Figure5-7 Upper Leveling cylinder.....	107
Figure 5-8 Jib cylinder.....	110
<b>Chapter 6 electrical system</b> .....	113
Figure6-1 Cable Assembly .....	114
Figure6-2 Pump Driver Assembly.....	123
Figure6-3 Fuse assembly.....	126
<b>Chapter 7 adhesive signs</b> .....	129
Figure7-1 adhesive signs.....	130

# **Chapter 1 chassis**

**Figure1-1 Front axle assembly and chassis  
assembly**

Spare parts manual



Spare parts manual**Figure1-1 Front axle assembly and chassis assembly**

序号 Item No.	代号 Part No.	名称 Description	数量 Qty	备注或适用车型 Remarks or Series No.	物料码 Code No.
1	GTHZ210C-40 0019-000	Shaft 60545	1		2240000 50014
2	GTHZ210C-20 0007-000	Shaft 16120	1		2221000 30027
3	GB5789-86	Bolt M16×35	1	8.8	3000100 80013
4	GB93-87	Washer 16	1		3000300 10004
5	GB97.1-85	Washer 16	1		3000300 40005
6	GTHZ210C-40 0018-000	Shaft 25068	2		2240000 50013
7	GTHZ210C-20 0006-000	Shaft 10060	2		2221000 30026
8	GB5789-86	Bolt M10×25	4	8.8	3000100 80001
9	GB93-87	Washer 10	4		3000300 10001
10	GB97.1-85	Washer 10	4		3000300 40002

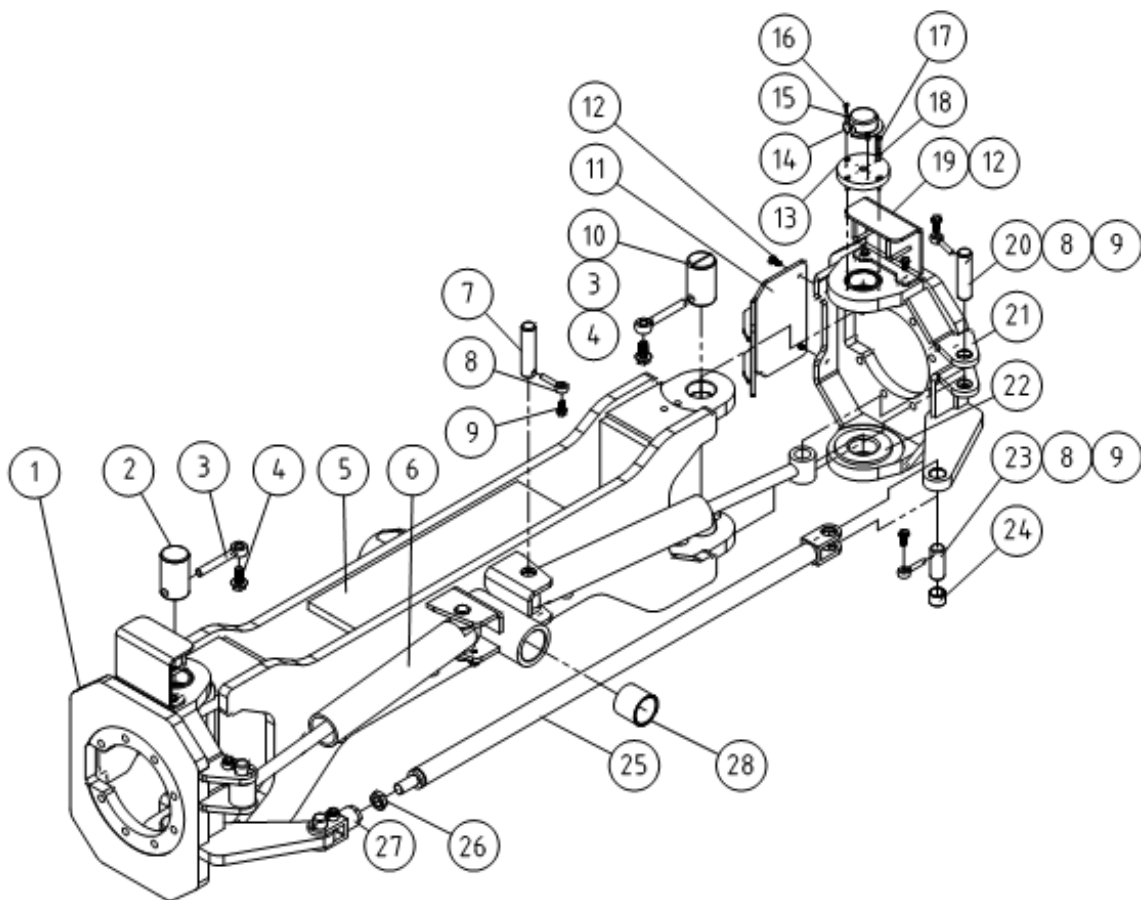
Spare parts manual

11		Left oscillation cylinder assembly	1	See the figure for details 5-3	
12	GTHZ210C-20 0012-000	Shaft 25213	2		2221000 30031
13	GTHZ170-130 001-000	Screw 5/8-11×2 1/4"	32		2213000 20001
14	GB7244-87	Washer 16	32		3000300 90003
15	GTHZ210C-13 0000-G00	Traveling reducer	4		2213000 00006
16	GTHZ210C-11 0000-G00	Left tire	2		2211000 20007
17	GTHZ170C-11 0002-000	Tire Nut	36		
18	GTHZ210C-20 0000-000	Front axle assembly	1		2200100 20015
19	CT-606260-G 00	Washer 60	2		2290000 70020
20	GTHZ210C-12 0000-G00	Right tire	2		2211000 20008
21	GTHZ210C-41 0000-000	Chassis	1		2241000 00046
22		Right oscillation cylinder assembly	1	See the figure for details 5-3	



**Figure1-2 Front axle assembly**

Spare parts manual



Spare parts manual**Figure1-2 Front axle assembly**

序号 Item No.	代号 Part No.	名称 Description	数量 Qty	备注或适用车型 Remarks or Series No.	物料码 Code No.
1	GTHZ210C-21 0200-000	Left steering assembly	1		2221000 00032
2	GTHZ210C-20 0001-000	Shaft 60085	3		2221000 30022
3	GTHZ210C-20 0007-000	Shaft 16120	4		2221000 30027
4	GB5789-86	Bolt M16×35	4	8.8	3000100 80013
5	GTHZ210C-21 0100-000	Front axle assembly	1		2221000 00031
6	GTHZ210C-62 0100-000	Steering cylinder	2		2262000 20009
7	GTHZ210C-20 0010-000	Shaft 30110	2		2221000 30030
8	GTHZ210C-20 0006-000	Shaft 10060	8		2221000 30026
9	GB/T5789-19 86	Bolt M10×25	8		3000100 80001
10	GTHZ210C-20 0002-000	Shaft	1		2221000 30023
11	GTHZ210C-20 0200-000	Baffle	2		2221000 00077

Spare parts manual

12	<b>GB/T5789-19 86</b>	<b>Bolt M8×20</b>	<b>8</b>	<b>8.8</b>	<b>3000100 80025</b>
13	<b>GTHZ210C-20 0004-000</b>	<b>Fixed seat</b>	<b>1</b>		<b>2221000 30025</b>
14	<b>GTHZ210C-20 0005-000</b>	<b>Protective cover</b>	<b>1</b>		<b>2221000 20019</b>
15	<b>GB93-87</b>	<b>Washer 5</b>	<b>3</b>		<b>3000300 10013</b>
16	<b>GB70-85</b>	<b>Screw M5×12</b>	<b>3</b>	<b>8.8</b>	<b>3000400 20127</b>
17	<b>GB70-85</b>	<b>Screw M6×25</b>	<b>4</b>	<b>8.8</b>	<b>3000400 20157</b>
18	<b>GB93-87</b>	<b>Washer 6</b>	<b>4</b>		<b>3000300 10014</b>
19	<b>GTHZ210C-20 0100-000</b>	<b>Bracket</b>	<b>2</b>		<b>2221000 00030</b>
20	<b>GTHZ210C-20 0009-000</b>	<b>Shaft 30100</b>	<b>2</b>		<b>2221000 30029</b>
21	<b>GTHZ210C-21 0300-000</b>	<b>Right steering assembly</b>	<b>1</b>		<b>2221000 00033</b>
22	<b>GTHZ210C-20 0011-000</b>	<b>Bushing</b>	<b>4</b>		<b>2221000 60005</b>
23	<b>GTHZ210C-20 0008-000</b>	<b>Shaft 30060</b>	<b>2</b>		<b>2221000 30028</b>
24	<b>CT-113025-G 00</b>	<b>Busing 3025</b>	<b>2</b>		<b>2221000 60006</b>

Spare parts manual

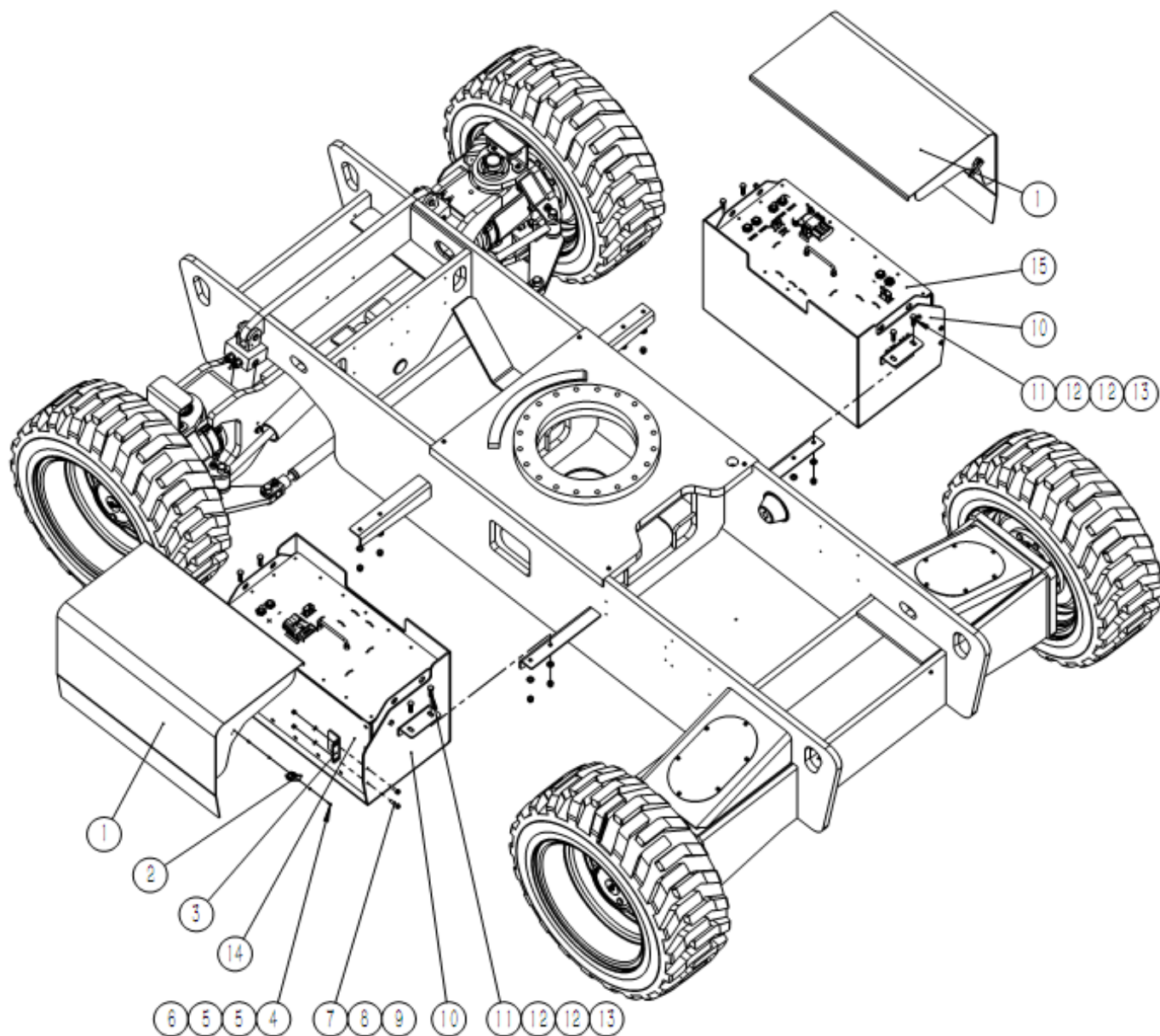
25	GTHZ210C-21 0400-000	Steering pull rod	1		2221000 00034
----	-------------------------	----------------------	---	--	------------------

**Figure1-2 Front axle assembly**

序号 Item No.	代号 Part No.	名称 Description	数量 Qty	备注或适用车型 Remarks or Series No.	物料码 Code No.
26	GB6173-86	Nut M24×2	1	8	3000200 40012
27	GTHZ210C-21 0500-000	Connecting seat	1		2221000 00035
28	CT-526060-G 00	Fibre Busing	2		2221000 60007

## **Figure1-3 Box and chassis assembly**

Spare parts manual



Spare parts manual**Figure1-3 Box and chassis assembly**

序号 Item No.	代号 Part No.	名称 Description	数量 Qty	备注或适用车型 Remarks or Series No.	物料码 Code No.
1	GTHZ210C-40 1100-000	Battery box cover	2		2240000 00085
2	GTHZ120-402 500-G00	Latch	4		2240001 00002
3	GTHZ210C-40 0028-000	Battery baffle	4		2240000 40223
4	GB5783-86	Bolt M4×12	8	8.8	3000100 40128
5	GB97.1-85	Washer 4	16		3000300 40011
6	GB889-86	Nut M4	8		3000201 50008
7	GB5789-86	M8×30	8	8.8	3000100 80005
8	GB97.1-85	Washer 8	8		3000300 40014
9	GB889-86	Nut M8	8	8	3000201 50004
10	GTHZ210C-40 1000-000	Battery box	2		2240000 00084
11	GB5783-86	Bolt M12×40	8	8.8	3000100 40037

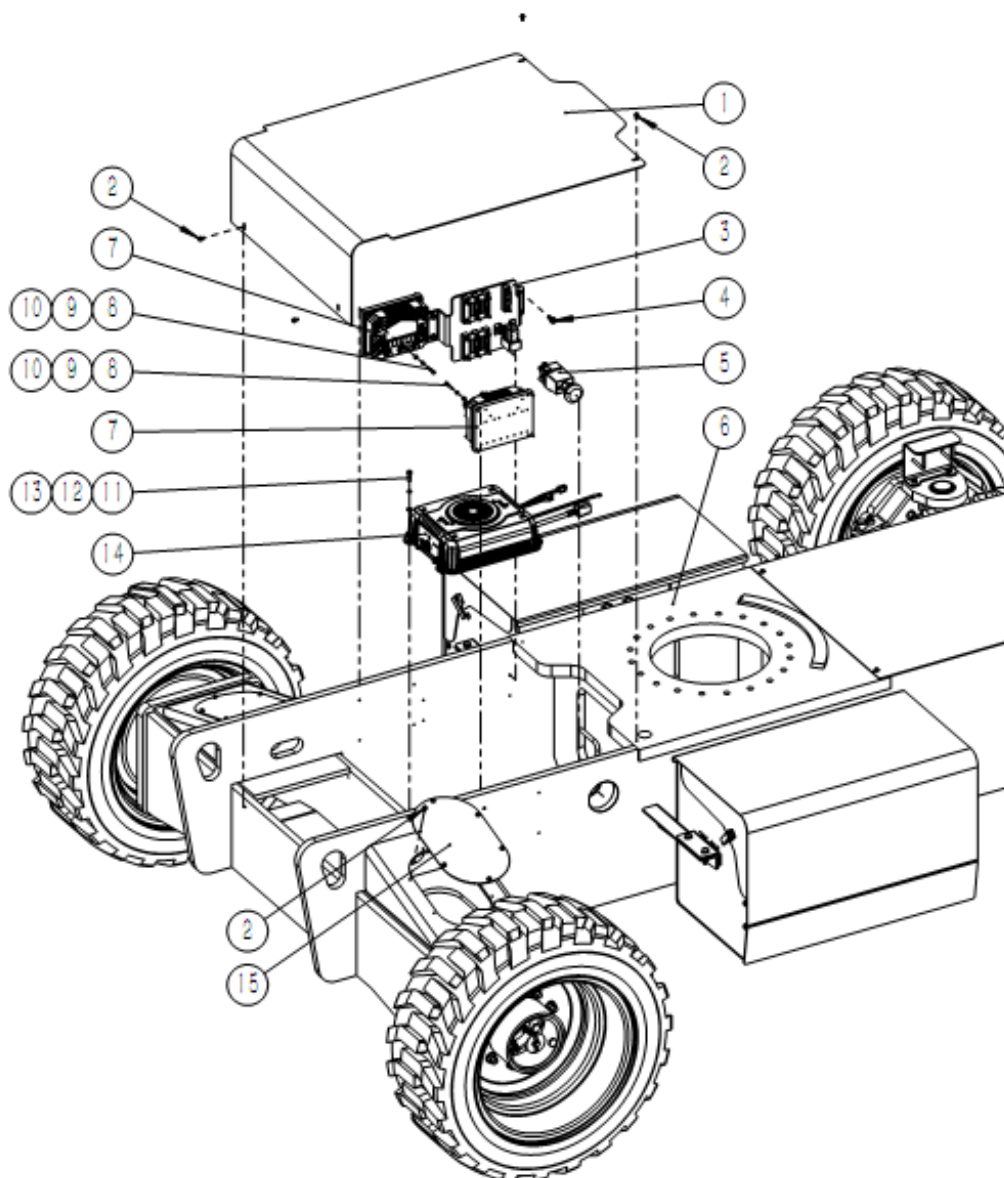


**Spare parts manual**

12	<b>GB97.1-85</b>	<b>Washer 12</b>	<b>16</b>		<b>3000300 40003</b>
13	<b>GB889-86</b>	<b>Nut M12</b>	<b>8</b>	<b>8</b>	<b>3000201 50006</b>
14	<b>GTHZ210C-76 0100-000</b>	<b>Left battery box assembly</b>	<b>1</b>		<b>2276000 30007</b>
15	<b>GTHZ210C-76 0200-000</b>	<b>Right battery box assembly</b>	<b>1</b>		<b>2276000 30006</b>

**Figure1-4 Chassis A assembly (—)**

Spare parts manual



Spare parts manual**Figure1-4 Chassis A assembly (—)**

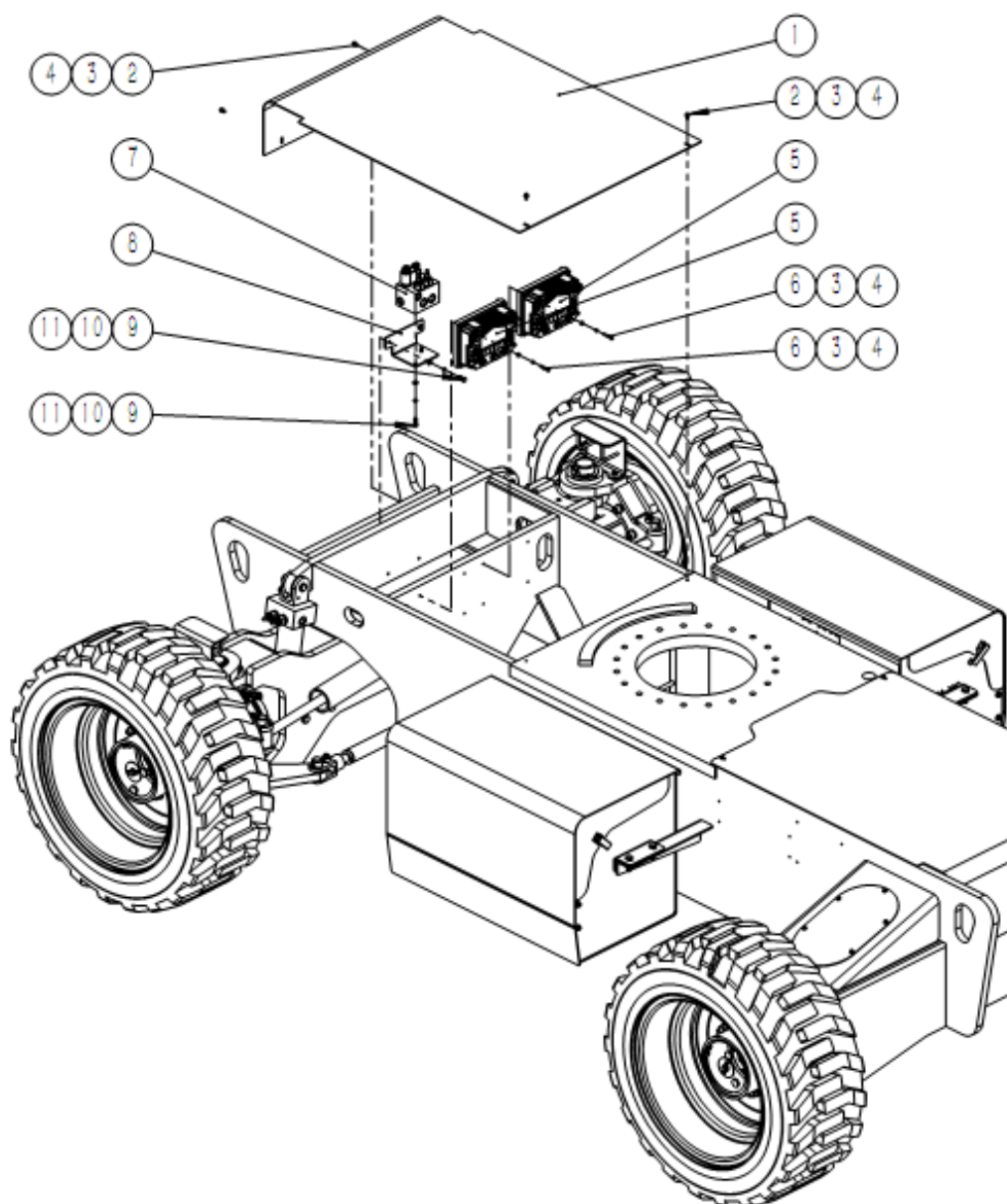
序号 Item No.	代号 Part No.	名称 Description	数量 Qty	备注或适用车型 Remarks or Series No.	物料码 Code No.
1	GTHZ210C-40 0001-000	Rear cover	1		2240000 40119
2	GB5789-86	Bolt M6×12	16	8.8	3000100 80014
3		Fuse assembly	1	See the figure for details6-3	
4	GB5789-86	Bolt M8×25		8.8	3000100 80026
5	GTHZ170C-75 0100-G00	Power off switch	1		2272000 10003
6	GTHZ210C-41 0000-000	Chassis	1		2241000 00046
7	GTHZ170C-75 0200-G00	Driver	2		2275000 20003
8	GB70-85	Screw M6×30	8	8.8	3000400 20126
9	GB93-87	Washer 6	8		3000300 10014
10	GB97.1-85	Washer 6	8		3000300 40013
11	GB70-85	Screw M8×25	4	8.8	3000400 20098

**Spare parts manual**

12	<b>GB93-87</b>	<b>Washer 8</b>	<b>4</b>		<b>3000300 10015</b>
13	<b>GB97.1-85</b>	<b>Washer 8</b>	<b>4</b>		<b>3000300 40014</b>
14	<b>GTHZ210C-75 0700-G00</b>	<b>Charger (big)</b>	<b>1</b>		<b>2278000 10008</b>
15	<b>GTHZ210C-40 0003-000</b>	<b>Plate</b>	<b>2</b>		<b>2240000 30061</b>

**Figure1-5 Chassis A assembly (二)**

Spare parts manual



Spare parts manual**Figure1-5 Chassis A assembly (二)**

序号 Item No.	代号 Part No.	名称 Description	数量 Qty	备注或适用车型 Remarks or Series No.	物料码 Code No.
1	GTHZ210C-40 0002-000	Front plate	1		2240000 40120
2	GB5789-86	Bolt M6×12	4	8.8	3000100 80014
3	GB93-87	Washer 6	12		3000300 10014
4	GB97.1-85	Washer 6	12		3000300 40013
5	GTHZ170C-75 0200-G00	Driver	2		2275000 20003
6	GB70-85	Screw M6×30	8	8.8	2241000 00046
7	GTHZ210C-64 0302-G00	Hydraulic floating valve block	1		2264000 20003
8	GTHZ210C-40 0020-000	Mounting plate	1		2240000 40137
9	GB5783-86	Bolt M8×20	2	8.8	3000400 20098
10	GB93-87	Washer 8	2		3000300 10015
11	GB97.1-85	Washer 8	2		3000300 40014

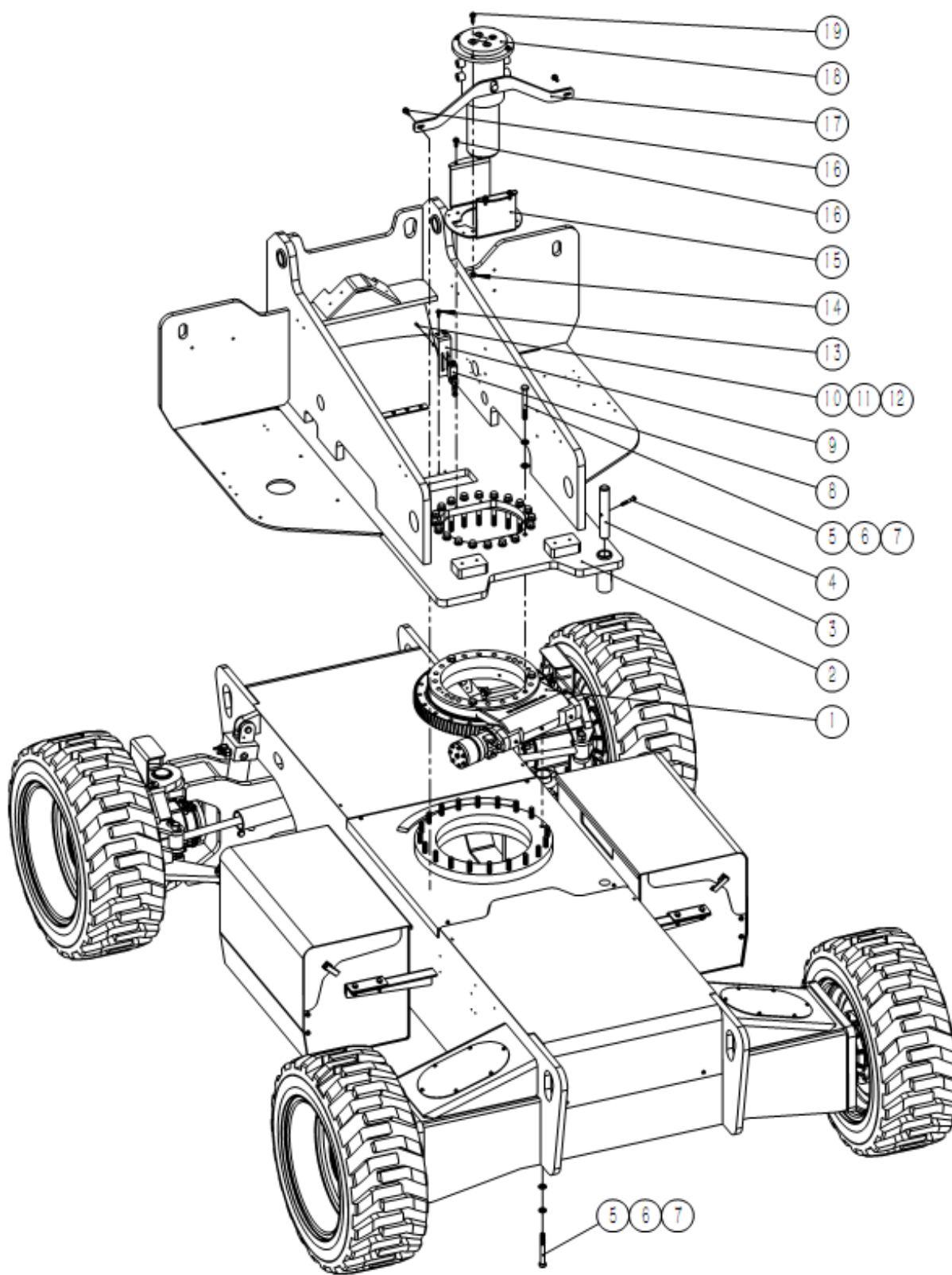


# **Chapter 2 turntable**

**Spare parts manual**

**Figure2-1 Rotating frame and chassis a  
assembly**

Spare parts manual



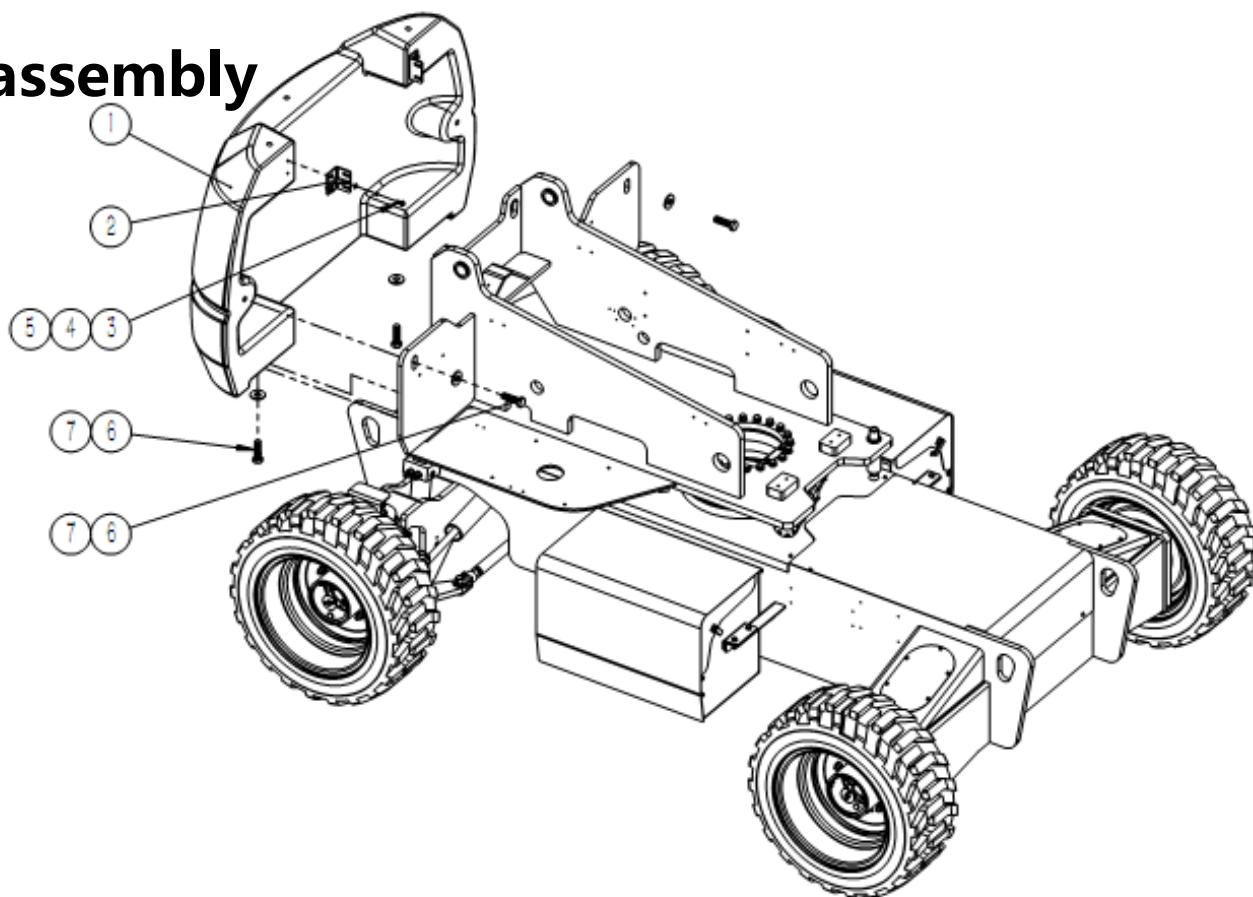
Spare parts manual**Figure2-1 Rotating frame and chassis a assembly**

序号 Item No.	代号 Part No.	名称 Description	数量 Qty	备注或适用车型 Remarks or Series No.	物料码 Code No.
1	GTHZ210C-40 0100-G00	Rotation reducer	1		2213000 10004
2	GTHZ210C-44 0000-000	Rotating frame	1		2244000 00009
3	GTHZ210C-40 0009-000	Steering locating pin	1		2240000 50015
4	GB5782-86	Bolt M10×60	1		3000100 30016
5	GB5782-86	Bolt M16×130	40	10.9	3000100 30065
6	GB93-87	Washer 16	40		3000300 10004
7	GB97.1-85	Washer 16	40		3000300 40005
8	GTWZ110-75 0400-G00	Limit switch	1		2272000 50006
9	GTHZ210C-40 0006-000	Switch bracket	1		2244000 40012
10	GB70-85	Screw M5×20	4		3000400 20087

Spare parts manual

11	<b>GB93-87</b>	<b>Washer 5</b>	<b>4</b>		<b>3000300 10013</b>
12	<b>GB97.1-85</b>	<b>Washer 5</b>	<b>4</b>		<b>3000300 40012</b>
13	<b>GB5789-86</b>	<b>Bolt M8×20</b>	<b>4</b>		<b>3000100 80025</b>
14	<b>GB6183-86</b>	<b>Nut M10</b>	<b>4</b>		<b>3000204 90003</b>
15	<b>GTHZ210C-40 0004-000</b>	<b>Swivel bracket</b>	<b>1</b>		<b>2240000 40121</b>
16	<b>GB5789-86</b>	<b>Bolt M10×25</b>	<b>6</b>		<b>3000100 80001</b>
17	<b>GTHZ210C-40 0014-000</b>	<b>Limit plate</b>	<b>1</b>		<b>2240000 30062</b>
18	<b>GTHZ210C-40 0900-G00</b>	<b>Rotation joint</b>	<b>1</b>		<b>2240000 00093</b>
19	<b>GB5789-86</b>	<b>Bolt M10×40</b>	<b>4</b>		<b>3000100 80010</b>

**Figure2-2 Counterweight and rotating frame assembly**



Spare parts manual**Figure2-2 Counterweight and rotating frame assembly**

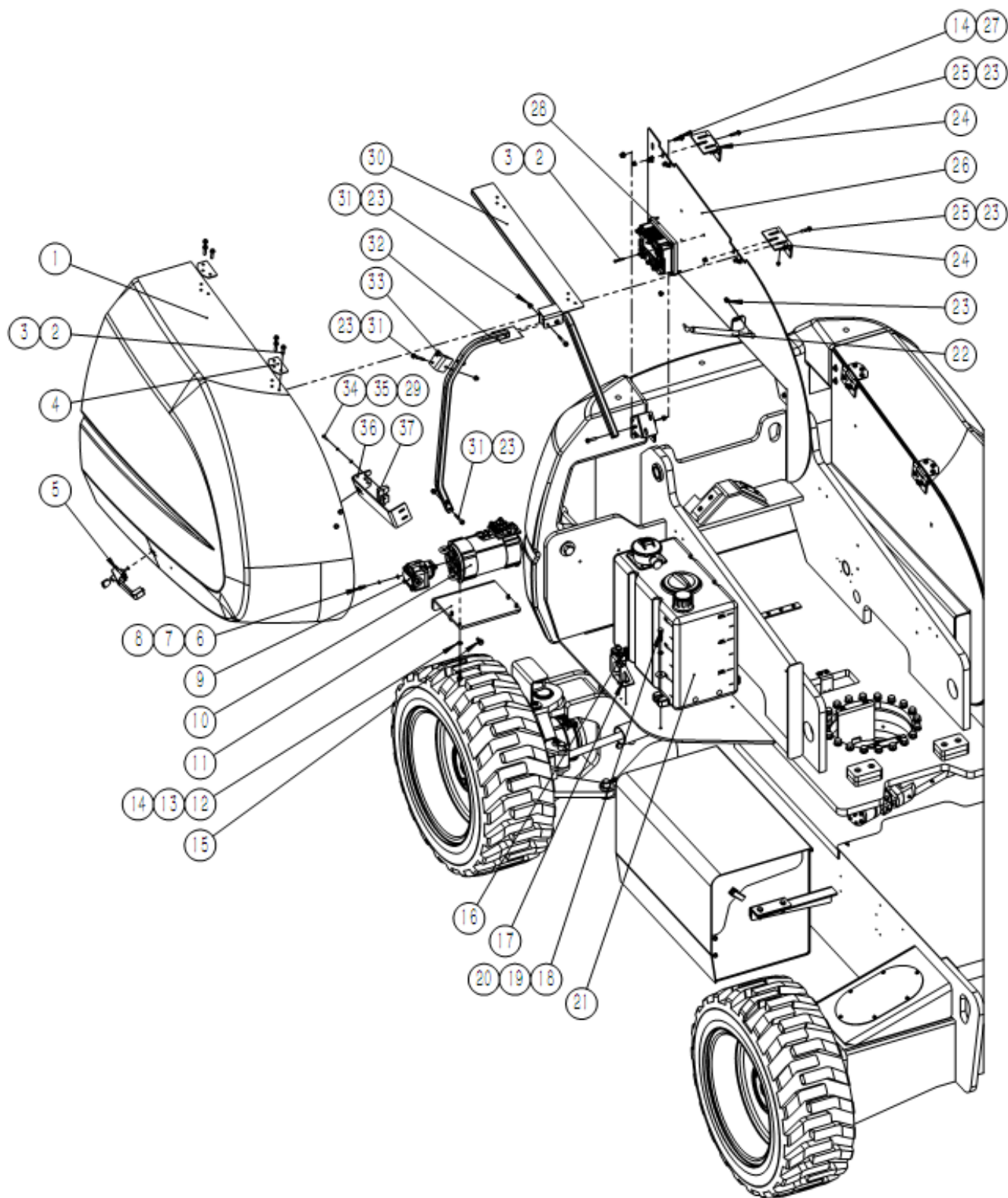
序号 Item No.	代号 Part No.	名称 Description	数量 Qty	备注或适用车型 Remarks or Series No.	物料码 Code No.
1	GTHZ210C-01 0000-000	Counterweight	1		2201000 10007
2	GTHZ210C-40 1400-000	Bracket A	2		2240000 00159
3	GB5783-86	BoltM10×25	4	8.8	3000100 40009
4	GB93-87	Washer10	4		3000300 10001
5	GB97.1-85	Washer10	4		3000300 40002
6	GB5783-86	BoltM24×80	4	8.8	3000100 40247
7	GTHZ120-200 600-000	Washer	4		2221000 50003

**Spare parts manual**

**Figure2-3 Turntable assembly**



Spare parts manual



Spare parts manual**Figure2-3 Turntable assembly**

序号 Item No.	代号 Part No.	名称 Description	数量 Qty	备注或适用车型 Remarks or Series No.	物料码 Code No.
1	GTHZ210C-40 0300-G00	Left cover	1		2240000 00099
2	GB5789-86	Bolt M8×35	6		3000100 80016
3	GB6183-86	Nut M8	14		3000204 90004
4	GTHZ210C-40 0027-000	Plate	2		2240000 30124
5	140XEN-4014 00-G00	Handle	1		2240001 00006
6	GB5783-86	Bolt M8×20	2	8.8	3000100 40173
7	GB93-87	Washer 8	2		3000300 10015
8	GB97.1-85	Washer8	2		3000300 40014
9	XSD090-6220 00-000	Gear pump	1		2061000 70323
10	XPD090-6210 00-000	Hydraulic pump motor	1		2091000 20186
11	GTHZ210C-40 0008-000	Hydraulic pump motor bracket	1		2240000 40125

Spare parts manual

12	GB97.1-85	Washer 10	4		3000300 40002
13	GB93-87	Washer 10	4		3000300 10001
14	GB5789-86	Bolt M10×30	6	8.8	3000100 80024
15	GB5789-86	Bolt M10×25	2	8.8	3000100 80001
16	GB5789-86	Bolt M8×20	2	8.8	3000100 80025
17	GTHZ210C-40 1200-000	Hook	1		2240000 00097
18	GB5783-86	Bolt M12×45	4	8.8	3000100 40040
19	GB93-87	Washer 12	4		3000300 10002
20	GB/T 96.1-2002	Big Washer 12	4		3000302 40005
21	GTHZ210C-61 0000-G00	Hydraulic tank	1		2261000 00015
22	GTHZ210C-40 0026-G00	Air Spring	1		
23	GB6183-86	Nut M8		With 3	3000204 90004
24	GTHZ210C-40 0700-001	Hinge	2		
25	GB5789-86	Bolt M8×30	6		3000100

**Spare parts manual**

					<b>80005</b>
--	--	--	--	--	--------------

Spare parts manual**Figure2-3 Turntable assembly**

序号 Item No.	代号 Part No.	名称 Description	数量 Qty	备注或适用车型 Remarks or Series No.	物料码 Code No.
26	GTHZ210C-42 0000-001	Left bracket	1		2240000 00178
27	GB6183-86	Nut M10	2		3000204 90003
28	GTHZ210C-75 1100-000	Pump Driver assembly	1		2275000 20006
29	GB97.1-85	Washer 6	2		3000300 40013
30	GTHZ210C-40 1500-000	Left bracket	1		2240000 00160
31	GB5789-86	Bolt M8×55		8.8	3000100 80046
32	GTHZ210C-40 0025-000	Elbow	1		2240000 10016
33	GTHZ210C-40 0022-000	Left Spring Mounting plate	1		2240000 40179
34	GB70-85	Screw M6×20	2	8.8	3000400 20158
35	GB93-87	Washer 6	2		3000300 10014
36	GTHZ210C-40 0017-001	Lock Mounting plate	1		2240000 40222

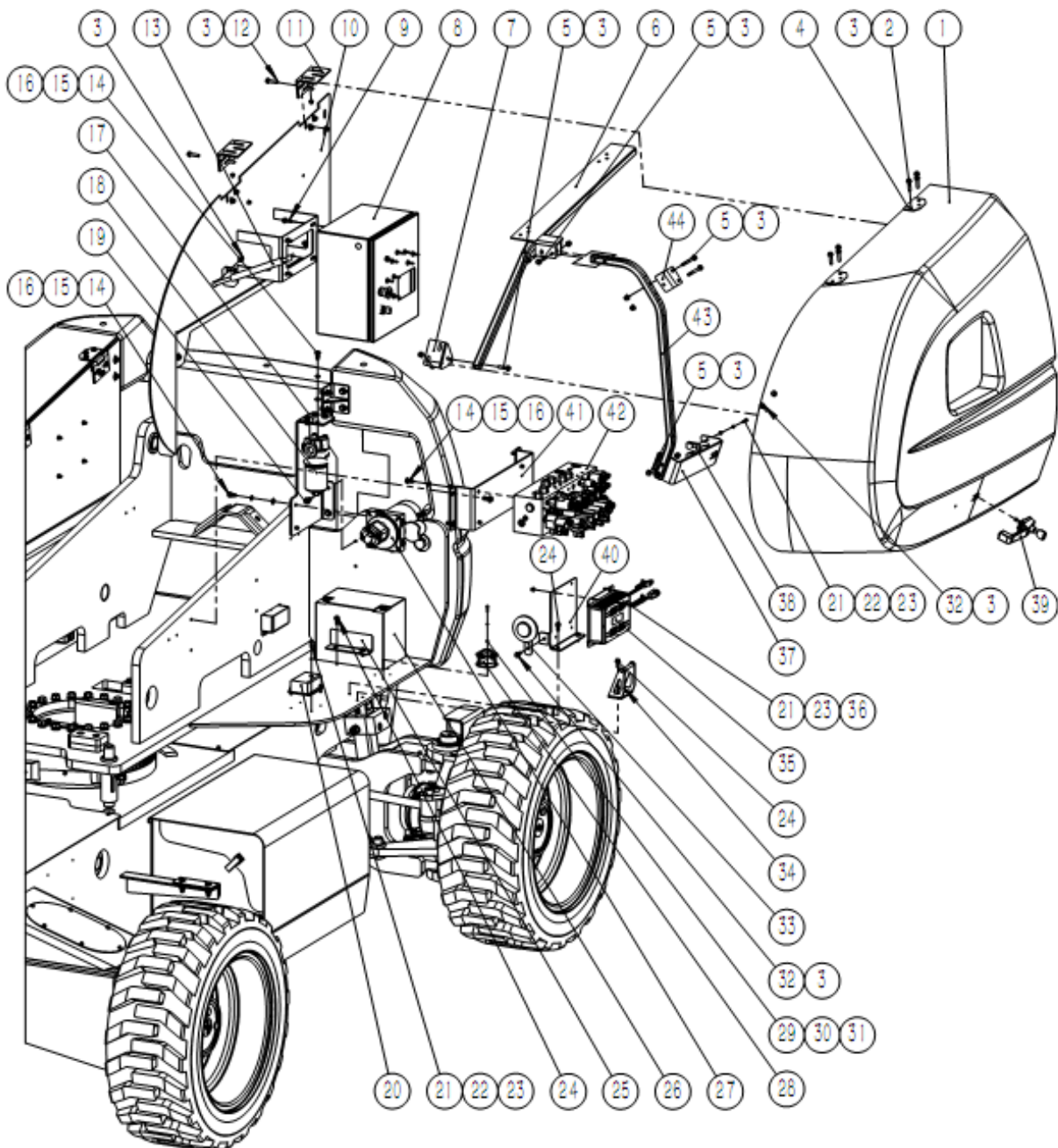
**Spare parts manual**

<b>37</b>	<b>140XEN-4012 00-G00</b>	<b>Right Lock</b>	<b>1</b>		<b>2240001 00004</b>
-----------	-------------------------------	-------------------	----------	--	--------------------------

**Spare parts manual**

**Figure2-4 Turntable assembly (二)**

Spare parts manual





Spare parts manual

## Figure2-4 Turntable assembly (二)

序号 Item No.	代号 Part No.	名称 Description	数量 Qty	备注或适用车型 Remarks or Series No.	物料码 Code No.
1	GTHZ210C-40 0400-G00	Right cover	1		2240000 00098
2	GB5789-86	Bolt M8×35	6	8.8	3000100 80016
3	GB6183-86	Nut M8	14		3000204 90004
4	GTHZ210C-40 0027-000	Plate	2		2240000 30124
5	GB5789-86	Bolt M8×55		8.8	3000100 80046
6	GTHZ210C-40 1600-000	Right plate	1		2240000 00161
7	GTHZ210C-40 0024-000	Cover plate A	1		2240000 40217
8	GTHZ210C-71 0000-000	Lower controller assembly	1		2275000 40015
9	GB5789-86	Bolt M8×25	4	8.8	3000100 80026
10	GTHZ210C-43 0000-001	Right bracket	1		2240000 00179
11	GTHZ210C-40 0700-001	Hinge	2		

Spare parts manual

12	GB5789-86	Bolt M8×30	6		3000100 80005
13	GTHZ210C-40 0026-G00	Air Spring	1		
14	GB5783-86	Bolt M10×20	10	8.8	3000100 40005
15	GB93-87	Washer 10	10		3000300 10001
16	GB97.1-85	Washer 10	10		3000300 40002
17	GTHZ210C-40 0007-000	Emergency pump bracket	1		2240000 40124
18	GTHZ210C-60 0501-G00	Filter	1		2260000 50027
19	GB5789-86	Bolt M10×25	2	8.8	3000100 80001
20	GTHZ210C-75 1300-000	DCDC	1		2270000 70035
21	GB70-85	Screw M6×20	10	8.8	3000400 20158
22	GB93-87	Washer 6	6		3000300 10014
23	GB97.1-85	Washer 6	10		3000300 40013
24	GB5789-86	Bolt M8×20	2	8.8	3000100 80025
25	GTHZ210C-40	Battery baffle	1		2241000

Spare parts manual

	0011-000				20142
--	----------	--	--	--	-------

## Figure2-4 Turntable assembly (二)

序号 Item No.	代号 Part No.	名称 Description	数量 Qty	备注或适用车型 Remarks or Series No.	物料码 Code No.
26	60XEND-7601 00-G00	Battery	1		2276000 20003
27	GTHZ210C-65 0100-G00	Emergency pump	1		2265000 10005
28	GTHZ210C-75 0600-G00	Tilt switch	1		2272000 80005
29	GB70-85	Screw M5×16	3	8.8	3000400 20149
30	GB93-87	Washer 5	3		3000300 10013
31	GB97.1-85	Washer 5	3		3000300 40012
32	GB5789-86	Bolt M8×25	4	8.8	3000100 80026
33	N163-700009 -000	Horn	1		2079001 30006
34	GTHZ210C-40 1200-000	Hook	1		2240000 00097
35	GTHZ210C-75 0800-G00	Charger (small)	1		2278000 10009

**Spare parts manual**

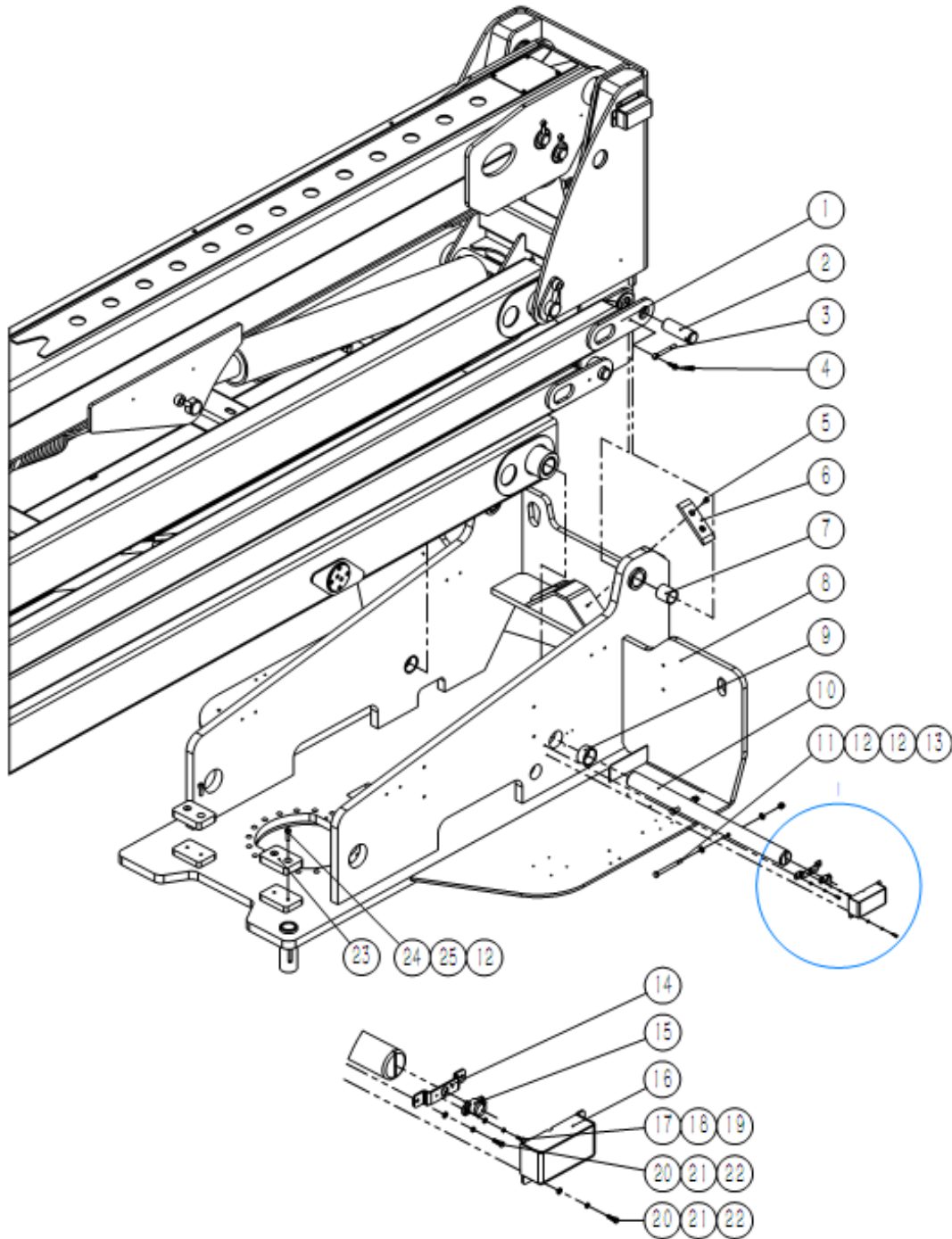
36	GB6183-86	Nut M6	4		3000204 90002
37	GTHZ210C-40 0016-000	Right Lock Mounting plate	1		2240000 40136
38	140XEN-4011 00-G00	Left lock	1		2240001 00003
39	140XEN-4014 00-G00	Handle	1		2240001 00006
40	GTHZ210C-40 0013-000	Small charger bracket	1		2240000 40127
41	GTHZ210C-40 0005-000	Block Mounting plate	1		2240000 40123
42	GTHZ210C-64 0101-G00	Hydraulic Block	1		2264000 10011
43	GTHZ210C-40 0025-000	Elbow	1		2240000 10016
44	GTHZ210C-40 0023-000	Right air Spring Mounting plate	1		2240000 40180

# **Chapter 3 Boom**

**Spare parts manual**

**Figure3-1 Assembly of boom and rotating  
frame**

Spare parts manual



Spare parts manual**Figure3-1 Assembly of boom and rotating frame**

序号 Item No.	代号 Part No.	名称 Description	数量 Qty	备注或适用车型 Remarks or Series No.	物料码 Code No.
1		Boom assembly	1	See the figure for details3-2	
2	GTHZ210C-90 0104-000	Shaft	2		2290000 50129
3	78XEN-02000 2-000	Pin	2		2290001 10001
4	GB5789-86	Bolt M8×25	2		3000100 80026
5	GB/T70.3-200 0	Screw M8×20	4	8.8	3000400 40002
6	GTHZ210C-40 0015-000	Upper Cushion block	2		2240001 10005
7	CT-514050-G 00	Fibre Busing	2		2290000 70026
8	GTHZ210C-44 0000-000	Rotating frame	1		2244000 00009
9	CT-515030-G 00	Fibre Busing	2		2240000 80011
10	GTHZ210C-90 0301-000	Shaft	1		2290000 50143
11	GB5782-86	Bolt M10×110	2	8.8	3000100



Spare parts manual

					30003
12	GB97.1-85	Washer 10	8		3000300 40002
13	GB889-86	Nut M10	2	8	3000201 50003
14	GTHZ210C-40 0010-000	Potentiometer Bracket	1		2240000 40126
15	60XEND-7412 00-G01	Potentiometer	1		2274000 10013
16	GTHZ210C-40 0800-000	Potentiometer cover	1		2240000 00092
17	GB5783-86	Bolt M4×12	2	8.8	3000100 40128
18	GB93-87	Washer 4	2		3000300 10012
19	GB97.1-85	Washer 4	2		3000300 40011
20	GB5783-86	Bolt M5×16	5		3000100 40138
21	GB93-87	Washer 5	5		3000300 10013
22	GB97.1-85	Washer 5	5		3000300 40012
23	GTHZ210C-40 0012-000	Cushion block	2		2240001 10004
24	GB70-85	Screw M10×30	4		3000400 20075

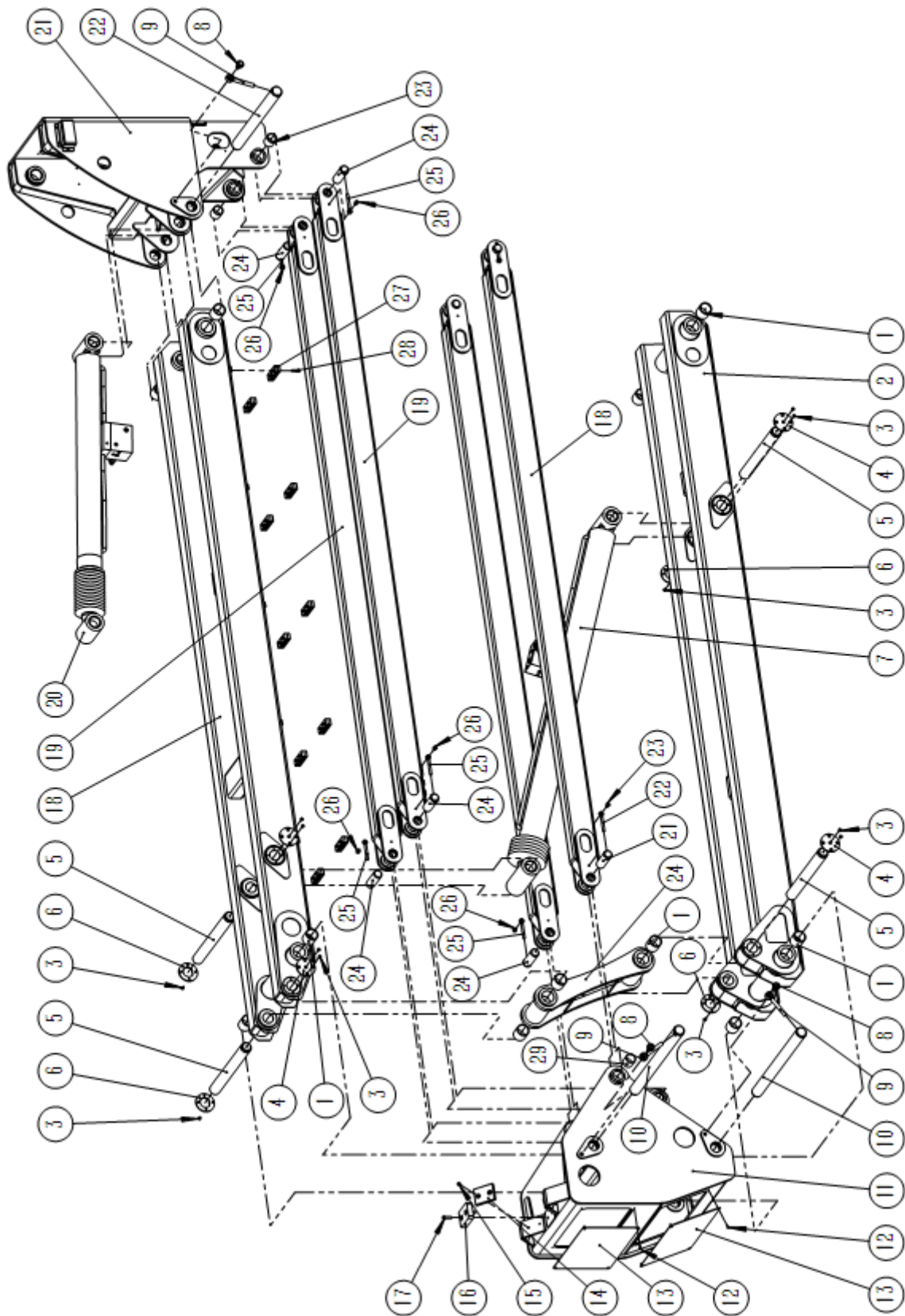
**Spare parts manual**

<b>25</b>	<b>GB93-87</b>	<b>Washer 10</b>	<b>4</b>		<b>3000300 10001</b>
-----------	----------------	------------------	----------	--	--------------------------

**Spare parts manual**

**Figure3-2 Boom assembly**

Spare parts manual



Spare parts manual**Figure 3-2 Boom assembly**

序号 Item No.	代号 Part No.	名称 Description	数量 Qty	备注或适用车型 Remarks or Series No.	物料码 Code No.
1	CT-515060-G 00	Fibre Busing	12		2290000 70025
2	GTHZ210C-91 1100-000	Lower secondary boom assembly	1		2290000 00071
3	GB/T70.3-200 8	Screw M6×16	36	8.8	3000400 40026
4	GTHZ210C-90 0001-000	Cap	4		2290000 30095
5	GTHZ210C-90 0202-000	Shaft	4		2290000 50130
6	GTHZ210C-90 0011-000	Cap	4		2290000 30138
7		Lower secondary cylinder assembly	1	See the figure for details5-4	
8	GB5789-86	Bolt M16×35	2	8.8	3000100 80013
9	GTHZ210C-20 0007-000	Shaft 16120	2		2221000 30027
10	GTHZ210C-90	Shaft	2		2290000

**Spare parts manual**

	0101-000				50131
11	GTHZ210C-91 5100-000	Mid pivot	1		2291000 00191
12	GB/T70.2-200 0	Screw M6×12	8		3000400 30021
13	GTHZ210C-91 5001-000	Mid pivot Plate	2		2291000 30183
14	GTHZ210C-91 5002-000	Guide slider	2		2290000 90031
15	GB/T70.3-200 0	Screw M8×20	4	8.8	3000400 40002
16	GTHZ210C-40 0012-000	Cushion block	1		2240001 10004
17	GB5789-86	Bolt M8×35	2	8.8	3000100 80016
18	GTHZ210C-91 2100-000	Mid boom	1		2291000 00189
19	GTHZ210C-92 0100-000	Pull rod	2		2291000 00200
20		Upper secondary boom cylinder	1	See the figure for details5-5	
21	GTHZ210C-91 6100-000	Upper pivot	1		2290000 00075
22	GTHZ210C-90 0102-000	Shaft	1		2290000 50136
23	CT-514050-G	Fibre Busing	4		2290000

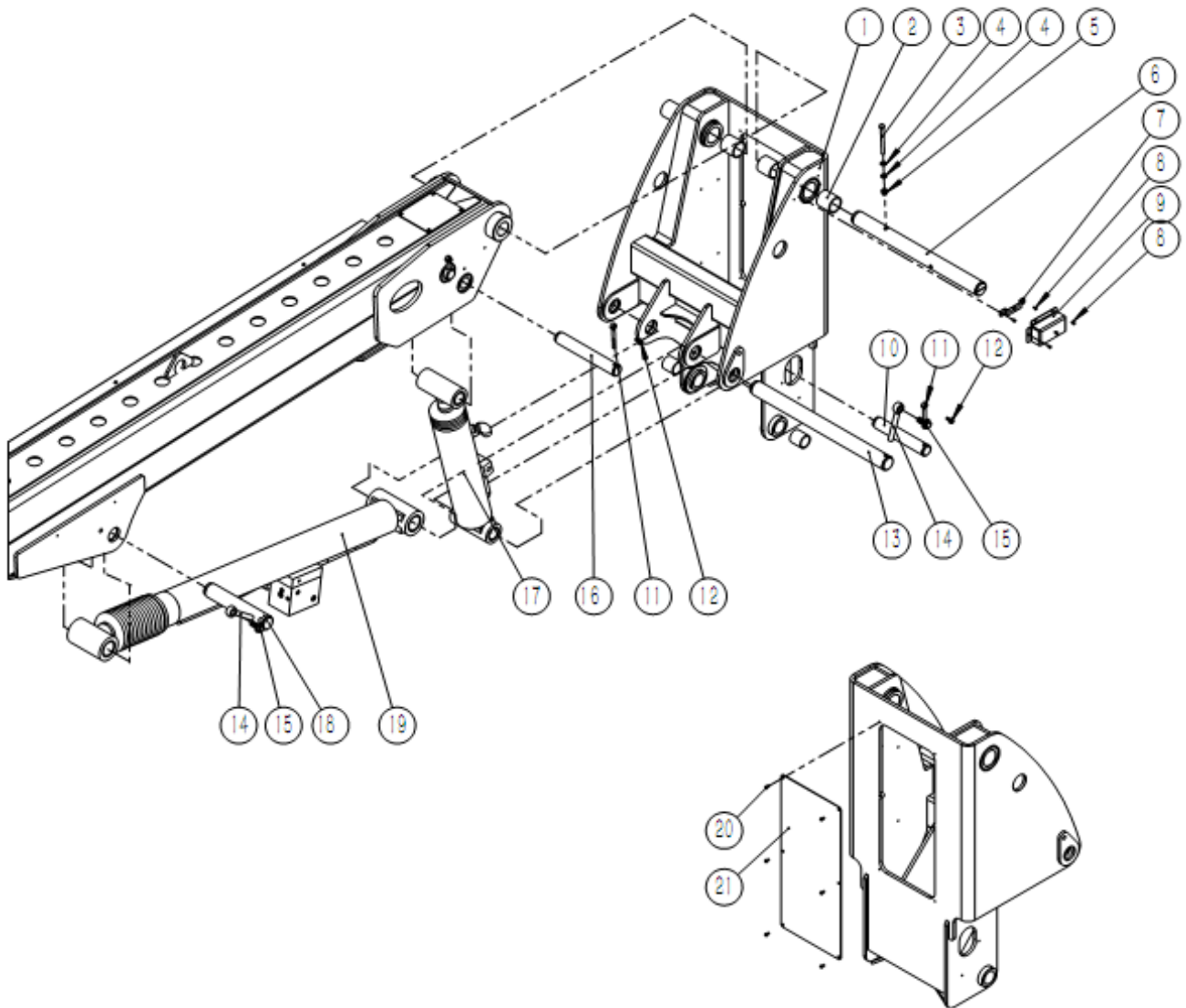
Spare parts manual

	00				70026
24	GTHZ210C-90 0104-000	Shaft	4		2290000 50129
25	TZ010-11009 0-000	Lock pin	4		2290001 10011

**Figure 3-2 Boom assembly**

序号 Item No.	代号 Part No.	名称 Description	数量 Qty	备注或适用车型 Remarks or Series No.	物料码 Code No.
26	GB5789-86	Bolt M8×20	4	8.8	3000100 80025
27	GTHZ210C-60 0201-G00	16 Double clamp	20		2260000 20005
28	GB70-85	Screw M8×30	20		3000400 20100
29	CT-514050-G 00	Fibre Busing	2		2290000 70026

Figure 3-3 Upper pivot and upper secondary boom assembly





Spare parts manual**Figure3-3 Upper pivot and upper secondary boom assembly**

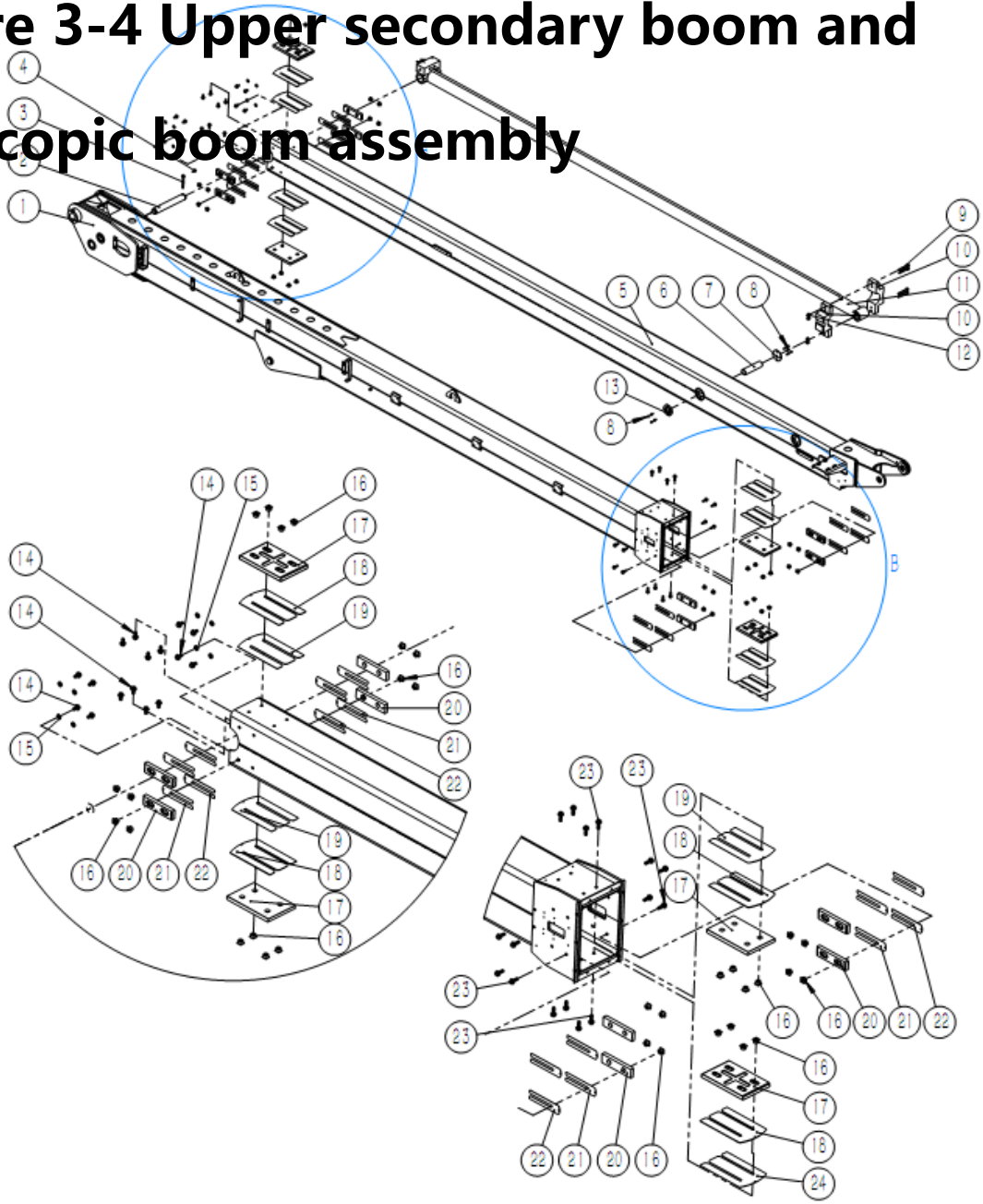
序号 Item No.	代号 Part No.	名称 Description	数量 Qty	备注或适用车型 Remarks or Series No.	物料码 Code No.
1	GTHZ210C-91 6100-000	Upper pivot	1		2290000 00075
2	CT-515060-G 00	Fibre Busing	4		2290000 70025
3	GB5782-86	Bolt M10×110	1	8.8	3000100 30003
4	GB97.1-85	Washer 10	2		3000300 40002
5	GB6183-86	Nut M10	1	8	3000204 90003
6	GTHZ210C-90 0302-000	Shaft	1		2290000 50133
7	GTHZ210C-40 0010-000	Potentiometer Bracket	1		2240000 40126
8	GB/T70.2-200 0	Screw M5×10	5	8.8	3000400 30022
9	GTHZ210C-40 0800-000	Potentiometer cover	1		2240000 00092
10	GTHZ210C-90 0109-000	Shaft	1		2290000 50144
11	TZ010-11009	Lock pin	2		2290001

Spare parts manual

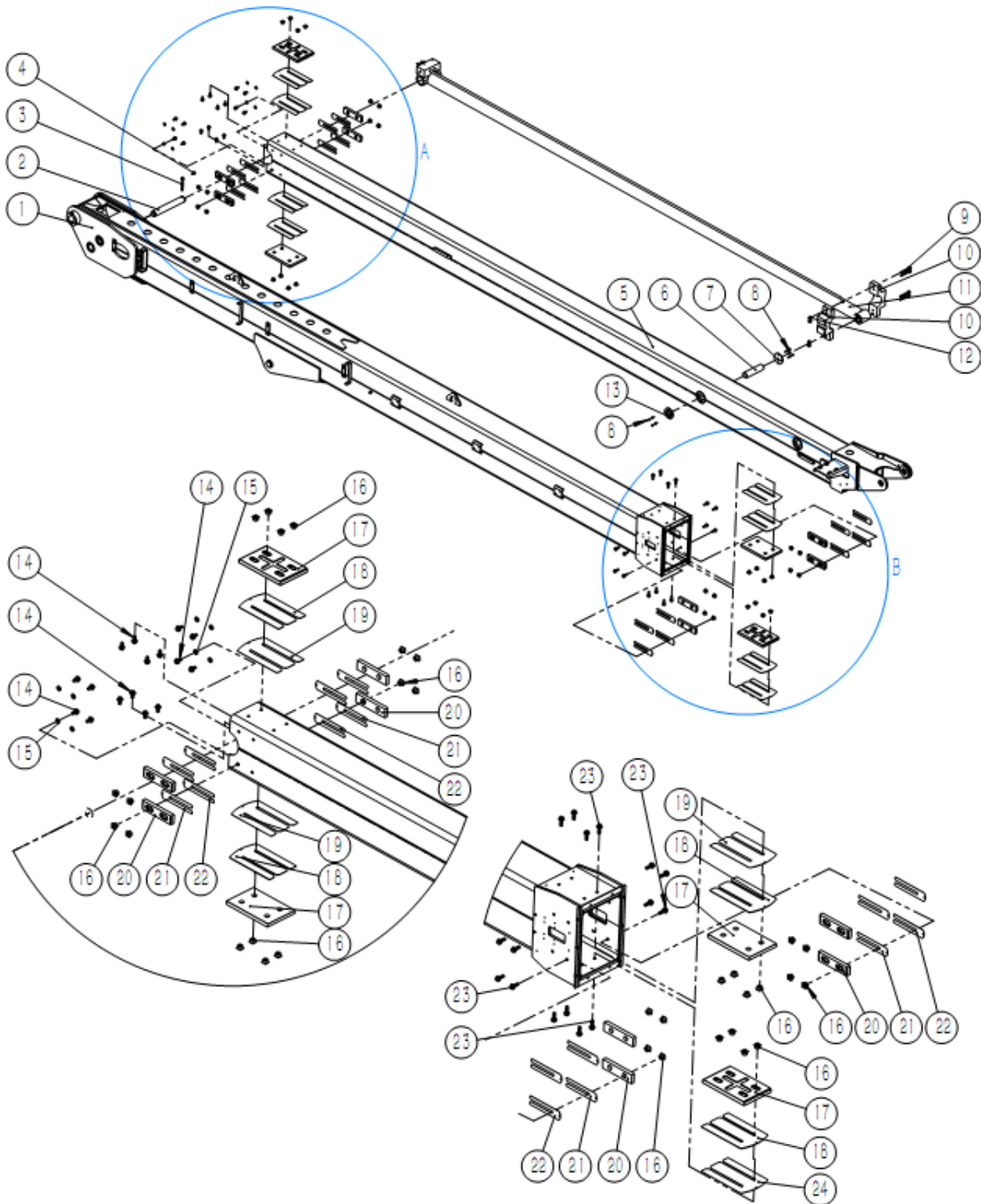
	0-000				10011
12	GB/T5789-19 86	Bolt M8×20	2	8.8	3000100 80025
13	GTHZ210C-90 0102-000	Shaft	1		2290000 50136
14	GTHZ210C-20 0007-000	Shaft 16120	2		2221000 30027
15	GGB/T5789-1 986	Bolt M16×35	2	8.8	3000100 80013
16	GTHZ210C-90 0103-000	Shaft	1		2290000 50134
17	GTHZ210C-62 0600-000	Lower leveling cylinder	1		2262000 50003
18	GTHZ210C-90 0106-000	Shaft	1		2290000 50132
19		Upper secondary boom cylinder assembly	1	See the figure for details5-5	
20	GTHZ210C-91 6001-000	Upper pivot Plate	1		2291000 30191
21	GB/T70.2-200 0	Screw M6×12	6	8.8	3000400 30021

Spare parts manual

**Figure 3-4 Upper secondary boom and telescopic boom assembly**



Spare parts manual



**Figure3-4 Upper secondary boom and**

Spare parts manual

## telescopic boom assembly

序号 Item No.	代号 Part No.	名称 Description	数量 Qty	备注或适用车型 Remarks or Series No.	物料码 Code No.
1	GTHZ210C-91 3100-000	Upper secondary boom assembly	1		2291000 00198
2	GTHZ210C-90 0103-000	Shaft	1		2290000 50134
3	TZ010-11009 0-000	Lock pin	1		2290001 10011
4	G005789-008 020-00	Bolt M8×20	1	8.8	3000100 80025
5	GTHZ210C-91 4100-000	Telescopic boom assembly	1		2291000 00196
6	GTHZ210C-90 0201-000	Shaft	1		2290000 50135
7	GTHZ210C-90 0002-000	Small Cap	1		2290000 30096
8	GT070P3-006 016-02	Screw M6×16	9	8.8	3000400 40026
9	G005789-010 080-01	Bolt M10×80	4		3000100 80029
10	GTHZ210C-90 0003-000	Cylinder support block	2		2290000 90034

**Spare parts manual**

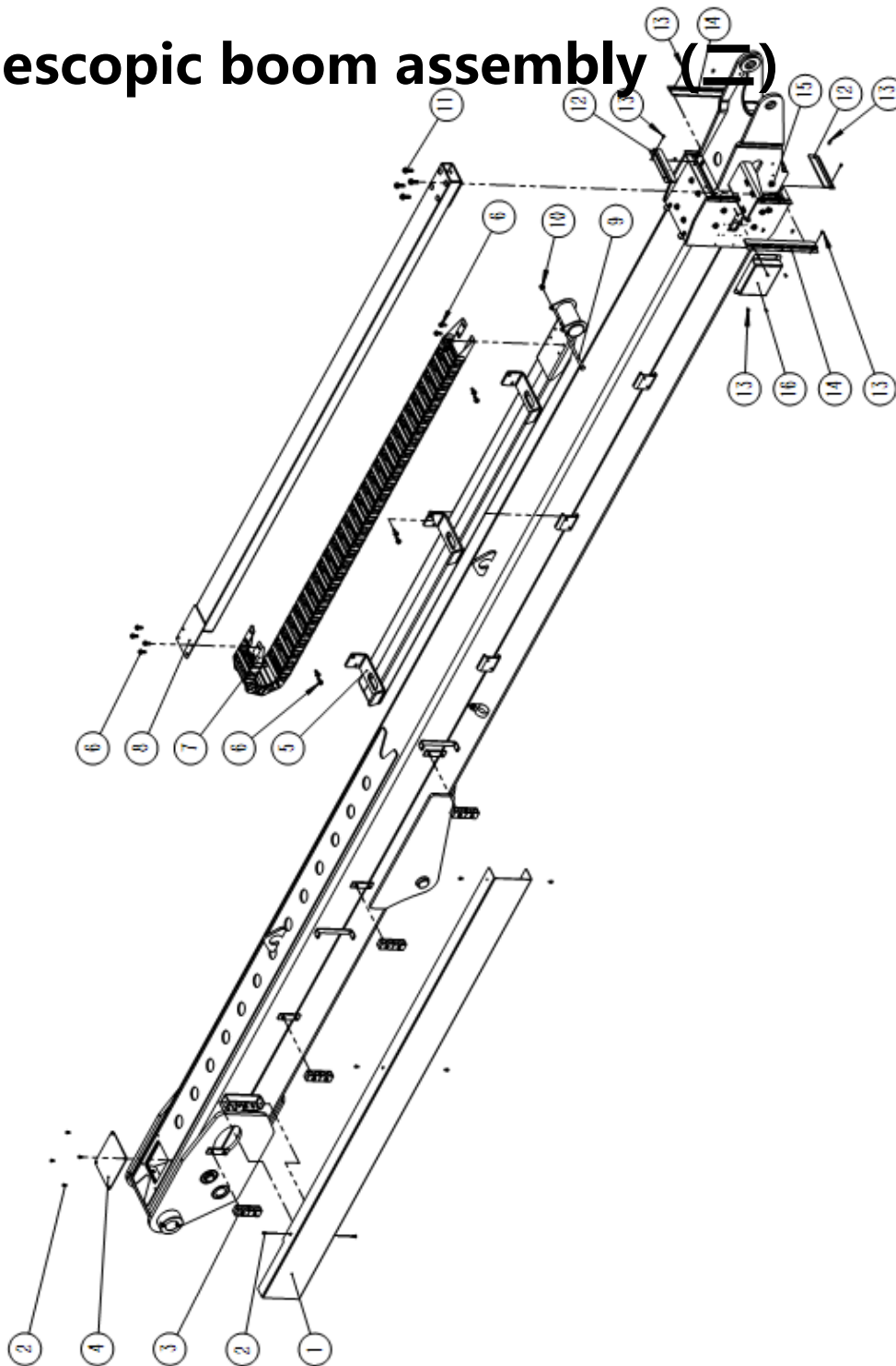
11		Telescopic boom cylinder assembly	1	See the figure for details5-6	
12	G006183-000 010-00	Nut M10	4	8	3000204 90003
13	GTHZ210C-90 0012-000	Cap	1		2290000 30139
14	G005789-010 020-00	Bolt M10×20	16	8.8	3000100 80025
15	GB97.1-85	Washer 10	8		3000300 40002
16	GTHZ210C-91 3302-000	Square Nut	32		2290001 10008
17	GTHZ210C-91 3401-000	Upper and lower sliders	4		2290000 90033
18	GTHZ210C-90 0009-000	Big shim	4		2290000 30092
19	GTHZ210C-90 0008-000	Big Shim	4		2290000 30089
20	GTHZ210C-91 3301-000	Side slider	8		2290000 90032
21	GTHZ210C-90 0006-000	Small shim	8		2290000 30088
22	GTHZ210C-90 0007-000	Small Shim	8		2290000 30093
23	G005789-010 030-00	Bolt M10×30	16	8.8	3000100 80024

**Spare parts manual**

<b>24</b>	<b>GTHZ210C-90 0010-000</b>	<b>Shim</b>	<b>2</b>		<b>2290000 30133</b>
-----------	---------------------------------	-------------	----------	--	--------------------------

Spare parts manual

**Figure 3-5 Upper secondary boom and telescopic boom assembly (□)**





Spare parts manual**Figure3-5 Upper secondary boom and telescopic boom assembly (二)**

序号 Item No.	代号 Part No.	名称 Description	数量 Qty	备注或适用车型 Remarks or Series No.	物料码 Code No.
1	GTHZ210C-91 3002-000	Upper secondary boom cover	1		2291000 40167
2	GB/T70.2-200 0	Screw M6×12	10	8.8	3000400 30021
3	GTHZ210C-60 0208-G00	13.5Double clamp	8		2260000 20013
4	GTHZ210C-91 3001-000	Upper secondary boom Plate	1		2291000 30219
5	GTHZ210C-91 3200-000	Piping weldment	1		2290000 00082
6	GB/T5789-19 86	Bolt M8×20	14	8.8	3000100 80025
7	GTHZ210C-90 0100-G00	Chain	1		2260000 50029
8	GTHZ210C-90 0500-000	Piping	1		2290000 00079
9	GB5782-86	Bolt M10×140	1	8.8	3000100 30006
10	GB889-86	Nut M10	1	8	3000201

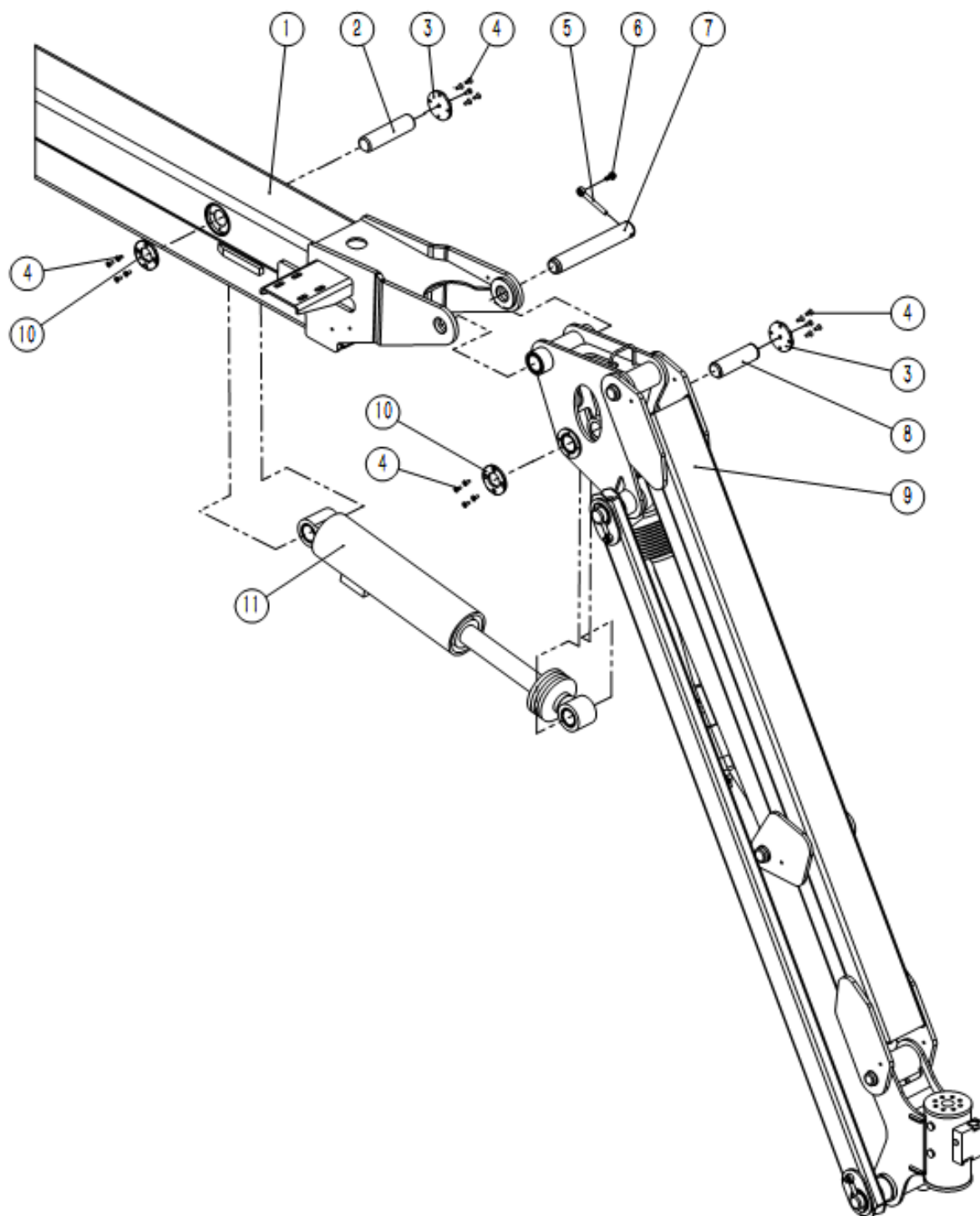
**Spare parts manual**

					50003
11	GB/T5789-19 86	Bolt M10×30	4	8.8	3000100 80024
12	GTHZ210C-91 3005-000	Brush	2		2290000 00081
13	GB/T70.2-200 0	Screw M5×10	14	8.8	3000400 30022
14	GTHZ210C-91 3004-000	Brush	2		2290000 00080
15	GB6183-86	Nut M10	4	8	3000204 90003

**Spare parts manual**

**Figure3-6 Jib and lift boom assembly**

Spare parts manual



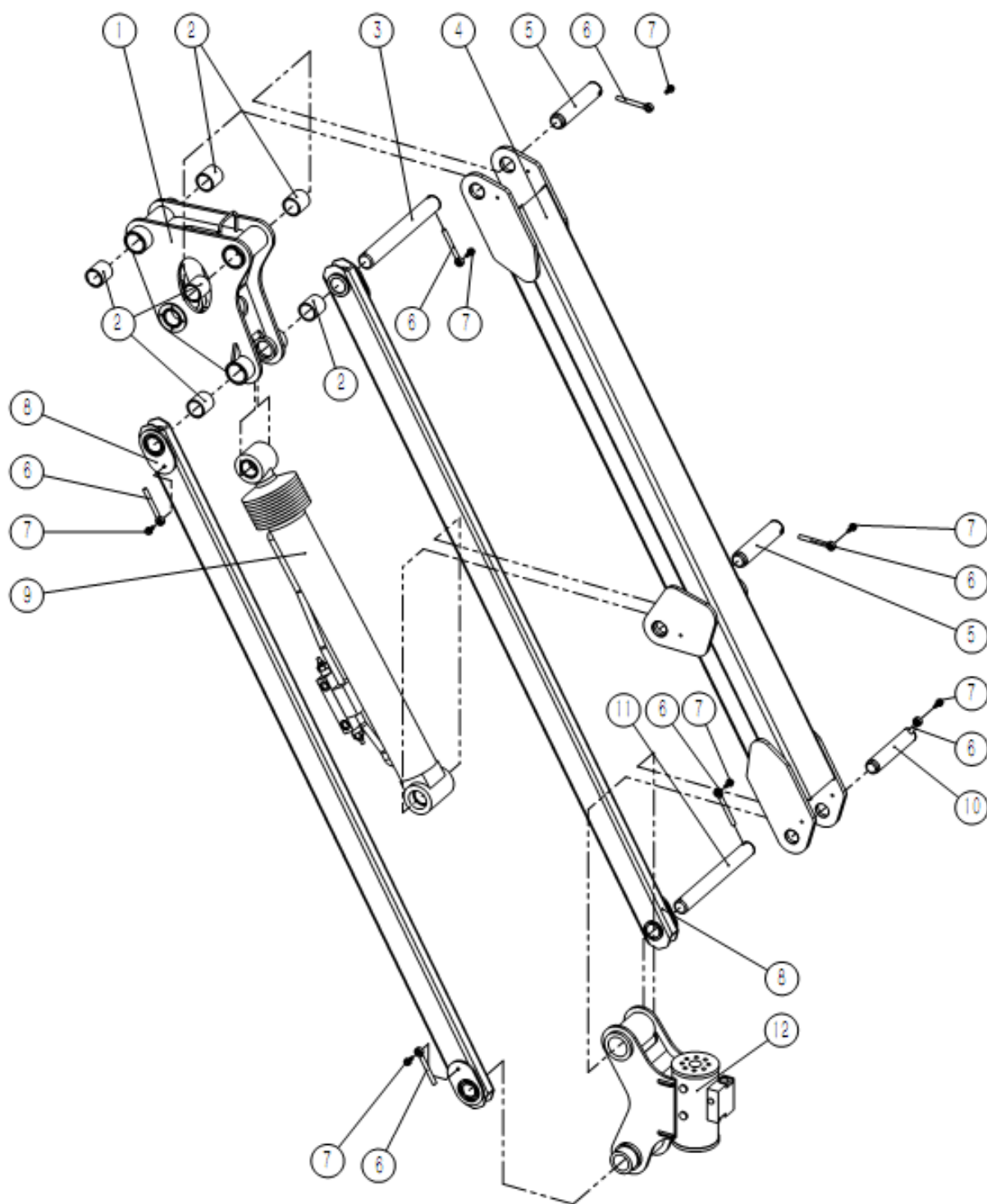
Spare parts manual**Figure3-6 Jib and lift boom assembly**

序号 Item No.	代号 Part No.	名称 Description	数量 Qty	备注或适用车型 Remarks or Series No.	物料码 Code No.
1		Primary boom Assembly	1	See the figure for details3-4、3-5	
2	GTHZ210C-90 0201-000	Shaft	1		2290000 50135
3	GTHZ210C-90 0002-000	Cap	2		2290000 30096
4	GT070P3-006 016-02	Screw M6×16	18	8.8	3000400 40026
5	TZ010-11009 0-000	Lock pin	1		2290001 10011
6	G005789-008 020-00	Bolt M8×20	1	8.8	3000100 80025
7	GTHZ210C-90 0105-000	Shaft	1		2290000 50138
8	GTHZ210C-90 0203-000	Shaft	2		2290000 50137
9		Jib Assembly	1	See the figure for details3-7	
10	GTHZ210C-90 0012-000	Cap	2		2290000 30139
11		Leveling cylinder	1	See the figure for details5-7	

**Spare parts manual**

**Figure3-7 Jib Assembly**

Spare parts manual



Spare parts manual**Figure3-7 Jib Assembly**

序号 Item No.	代号 Part No.	名称 Description	数量 Qty	备注或适用车型 Remarks or Series No.	物料码 Code No.
1	GTHZ210C-91 7100-000	Swing joint weldment	1		2291000 00193
2	CT-514050-G 00	Fibre Busing	6		2290000 70026
3	GTHZ210C-90 0401-000	Shaft	1		2290000 50139
4	GTHZ210C-91 8100-000	Jib assembly	1	GTHZ210C	2291000 00199
5	GTHZ210C-90 0107-000	Shaft	2		2290000 50142
6	TZ010-11009 0-000	Lock pin	7		2290001 10011
7	G005789-008 020-00	Bolt M8×20	7	8.8	3000100 80025
8	GTHZ210C-92 0200-000	Connecting rod	2	GTHZ210C	2291000 00194
9		Jib cylinder	1	See the figure for details5-8	
10	GTHZ210C-90 0108-000	Shaft	1		2290000 50140
11	GTHZ210C-90 0402-000	Shaft	1		2290000 50141
12	GTHZ210C-62	Rotary cylinder	1		2262000



**Spare parts manual**

	<b>1000-000</b>				<b>70011</b>
--	-----------------	--	--	--	--------------

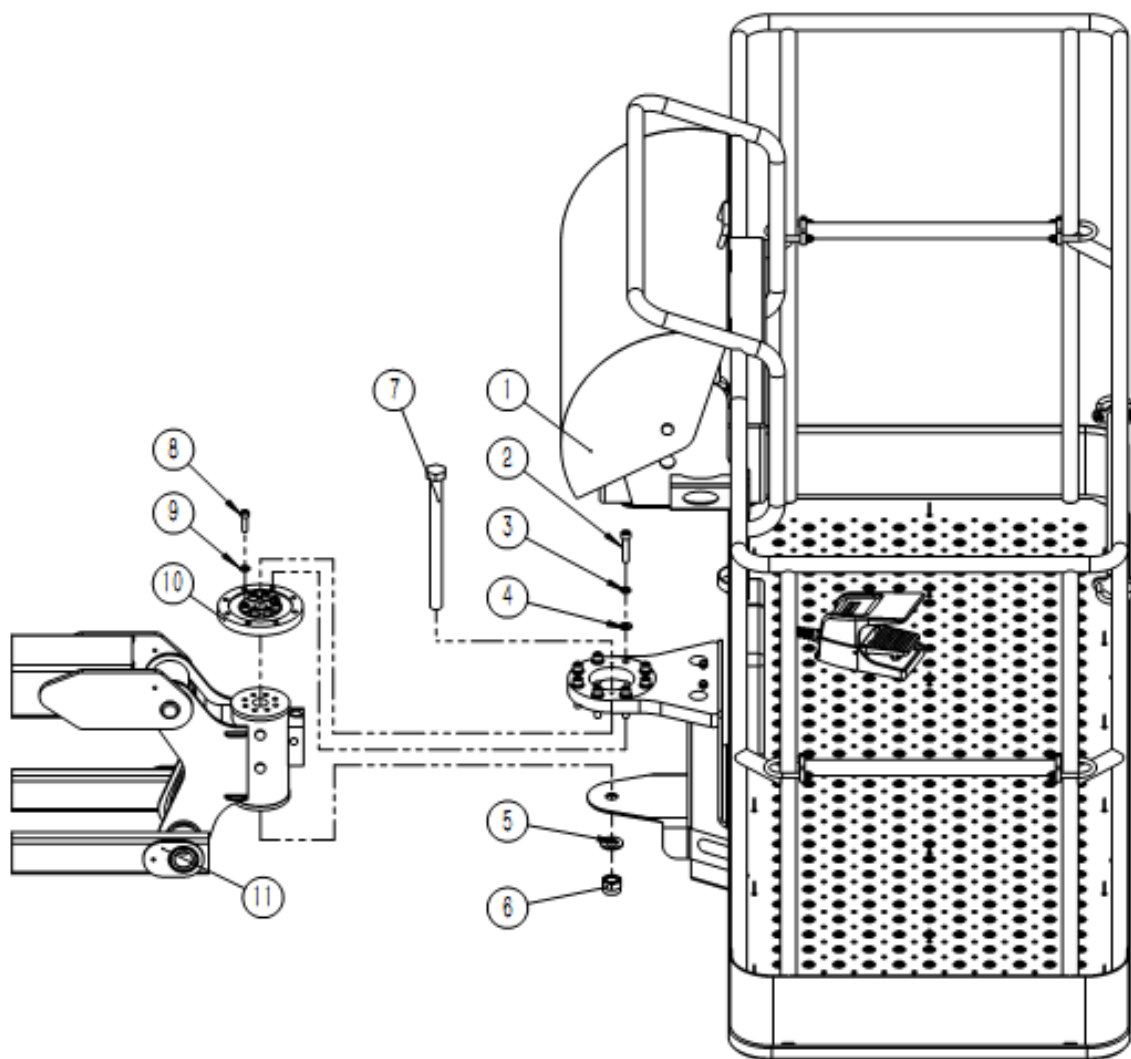
# **Chapter 4 Working platform**

**Chapter 4 Working platform**  
**Spare parts manual**

**Figure4-1 Working platform and jib Assembly**

# Chapter 4 Working platform

## Spare parts manual



# Chapter 4 Working platform

## Spare parts manual

### Figure4-1 Working platform and jib Assembly

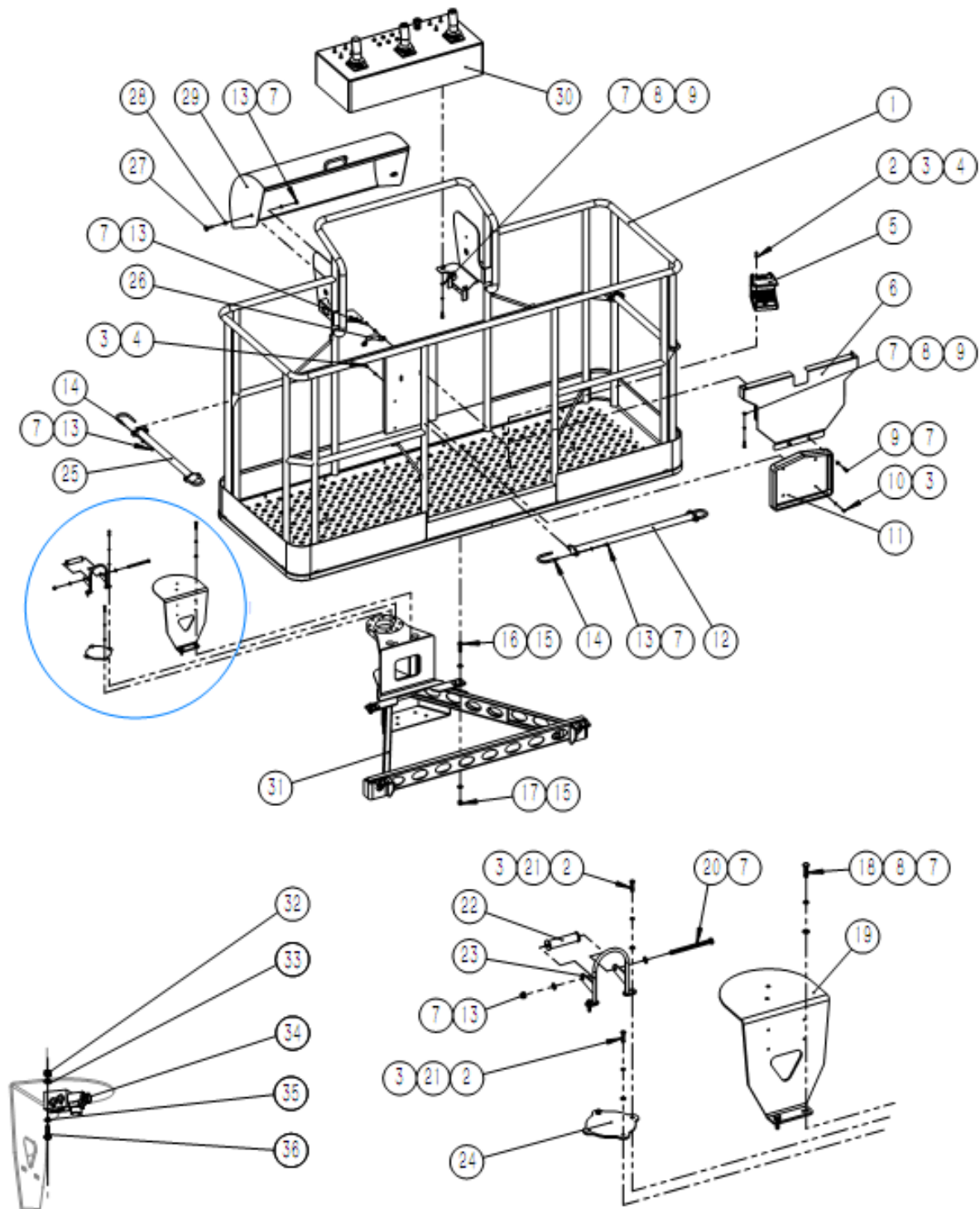
序号 Item No.	代号 Part No.	名称 Description	数量 Qty	备注或适用车型 Remarks or Series No.	物料码 Code No.
1		Working platform Assembly	1	See the figure for details4-2	
2	GB70-85	Screw M12×55	8	8.8	3000400 20105
3	GB93-87	Washer 12	8		3000300 10002
4	GB97.1-85	Washer 12	8		3000300 40003
5	GB97.1-85	Washer 24	1		3000300 40007
6	GB889-86	Nut M24	1		3000201 50002
7	GTHZ210C-75 1000-G00	Bolt M24×300	1	10.9	2270000 70025
8	GB70-85	Screw M10×35	8	8.8	3000400 20129
9	GB97.1-85	Washer 12	8		3000300 40002
10	GTHZ210C-75 0400-G00	The weighing sensor	1		2274000 50002
11		Jib Assembly	1	See the figure for details3-6	

**Chapter 4 Working platform**  
**Spare parts manual**

**Figure4-2 Working platform Assembly**

# Chapter 4 Working platform

## Spare parts manual



## Spare parts manual

### Figure 4-2 Working platform Assembly

序号 Item No.	代号 Part No.	名称 Description	数量 Qty	备注或适用车型 Remarks or Series No.	物料码 Code No.
1	GTHZ210C-81 0100-000	Platform	1		2281000 00078
2	GB5783-86	Bolt M6×25	9	8.8	3000100 40153
3	GB97.1-85	Washer 6	20		3000300 40013
4	GB889-86	Nut M6	8	8	3000201 50005
5	GTHZ210C-75 0300-G00	Foot switch	1		2272000 80004
6	GTHZ210C-81 0003-000	Notice board	1		2281000 30181
7	GB97.1-85	Washer8	26	8	3000300 40014
8	GB93-87	Washer8	6		3000300 10015
9	GB5783-86	M8×25	6	8.8	3000100 40177
10	GB5783-86	BoltM6×16	1	8.8	3000100 40148
11	78XEN-82010 0-G00	File box	1		2280000 00009
12	GTHZ210C-81	Movable rod	1		2281000



# **Chapter 4 Working platform**

## **Spare parts manual**

	<b>0200-000</b>	<b>welding body</b>			<b>00080</b>
<b>13</b>	<b>GB889-86</b>	<b>Nut M8</b>	<b>17</b>	<b>8</b>	<b>3000201 50004</b>
<b>14</b>	<b>GTHZ210C-81 0002-000</b>	<b>Movable rod U-ring</b>	<b>6</b>		<b>2281000 70016</b>
<b>15</b>	<b>GB97.1-85</b>	<b>Washer12</b>	<b>8</b>		<b>3000300 40003</b>
<b>16</b>	<b>GB5783-86</b>	<b>BoltM12×40</b>	<b>4</b>	<b>8.8</b>	<b>3000100 40037</b>
<b>17</b>	<b>GB889-86</b>	<b>M12</b>	<b>4</b>	<b>8</b>	<b>3000201 50006</b>
<b>18</b>	<b>GB5783-86</b>	<b>Bolt M8×30</b>	<b>2</b>	<b>8.8</b>	<b>3000100 40178</b>
<b>19</b>	<b>GTHZ210C-81 0008-000</b>	<b>Block Mounting plate</b>	<b>1</b>		<b>2281000 30182</b>
<b>20</b>	<b>GB5783-86</b>	<b>Bolt M8×110</b>	<b>1</b>	<b>8.8</b>	<b>3000100 40164</b>
<b>21</b>	<b>GB93-87</b>	<b>Washer 6</b>	<b>4</b>		<b>3000300 10014</b>
<b>22</b>	<b>GTHZ210C-81 0009-000</b>	<b>Nylon roller</b>	<b>1</b>		<b>2281000 60058</b>
<b>23</b>	<b>GTHZ210C-81 0600-000</b>	<b>Routing ring</b>	<b>1</b>		<b>2281000 00083</b>
<b>24</b>	<b>GTHZ210C-81 0007-000</b>	<b>Plate</b>	<b>1</b>		<b>2281000 10094</b>
<b>25</b>	<b>GTHZ210C-81</b>	<b>Movable rod</b>	<b>2</b>		<b>2281000</b>

# Chapter 4 Working platform

## Spare parts manual

	0500-000	welding body			00082
--	----------	--------------	--	--	-------

### Figure 4-2 Working platform Assembly

序号 Item No.	代号 Part No.	名称 Description	数量 Qty	备注或适用车型 Remarks or Series No.	物料码 Code No.
26	GTHZ210C-81 0006-000	Semicircle clamp	1		2280000 20016
27	GTHZ210C-81 0004-000	Shaft	2		2281000 70017
28	GTHZ210C-81 0005-000	Busing	2		2280000 50006
29	GTHZ210C-81 0300-000	Control box cover	1		2281000 00081
30	GTHZ210C-72 0000-000	Upper control Assembly	1		2275000 40016
31	GTHZ210C-81 0400-000	Welding body of platform base	1		2281000 00079
32	GB70-85	Bolt M5×50	2		3000400 20123
33	GB93-87	Spring Washer5	2		3000300 10013
34	GTHZ210C-64 0301-G00	Directional valve	1		2264000 20005
35	GB97.1-85	Flat Washer5	2		3000300

# **Chapter 4 Working platform**

## **Spare parts manual**

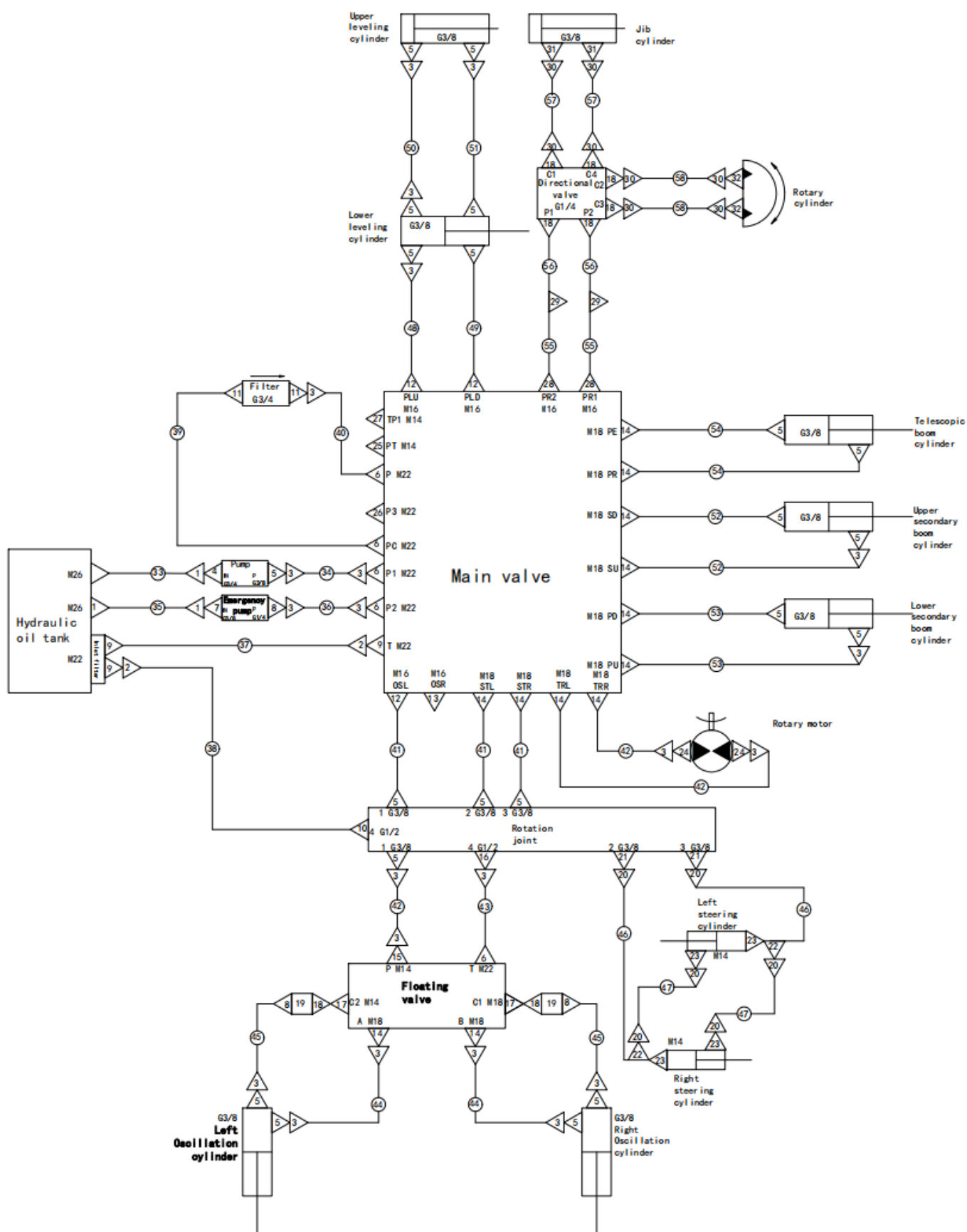
					<b>40012</b>
<b>36</b>	<b>GB889-86</b>	<b>Nut M5</b>	<b>2</b>		<b>3000201</b> <b>50018</b>

# **Chapter 5 Hydraulic system**

## **Figure5-1 Hydraulic Circuit**

# Chapter 5 hydraulic system

## Spare parts manual



**Spare parts manual**

**Figure 5-1 Hydraulic Circuit**

序号 Item No.	代号 Part No.	名称 Description	数量 Qty	备注或适用车型 Remarks or Series No.	物料码 Code No.
1	JT-202626-G0 1	Connection	3		2260000 40084
2	JT-202222-G0 1	Connection	2		2260000 40075
3	JT-201818-G0 1	Connection	22		2260000 40074
4	JT-111226-G0 1	Connection	1		2260000 40055
5	JT-110618-G0 0	Connection	21		2263000 30006
6	SS150-64020 0-000	Connection	5		2063002 90100
7	JT-110626-G0 1	Connection	1		2260000 40069
8	JT-110418-G0 1	Connection	3		2260000 40112
9	G250-521030 -000	Connection	3		2063002 90057
10	JT-110822-G0 1	Connection	1		2260000 40109
11	JT-111218-G0 1	Connection	2		2260000 40071
12	JT-101618-G0	Connection	3		2260000

# Chapter 5 hydraulic system

## Spare parts manual

	1				40072
13	X1000-61200 1-000	Plug	1		2087501 30040
14	JT-101818-G0 1	Connection	12		2260000 40066
15	G250-521020 -000	Connection	1		2063002 90056
16	G250-612090 -000	Connection	1		2063002 90051
17	JT-121414-G0 1	Connection	2		2260000 40085
18	JT-110414-G0 1	Connection	8		2260000 40081
19	GTHZ210C-64 0600-G00	One way restrictor valve	2		2264000 60003
20	JT-201616-G0 1	Connection	6		2260000 40073
21	JT-110616-G0 1	Connection	2		2260000 40067
22	JT-301616-G0 1	Tee coupling	2		2260000 40078
23	SS150-64010 0-000	Connection	4		2063002 90099
24	JT-131418-G0 1	Connection	2		2260000 40079
25	RSXR450-600 001-A00	Test Connection	1		8020190 02363



# **Chapter 5 hydraulic system**

## **Spare parts manual**

26	G250-616200 -000	Plug	1		2087501 30044
27	G250-525430 -000	Plug	1		3100501 00021
28	JT-111614-G0 1	Connection	2		
29	GTWZ110-60 0001-G00	Connection	2		2261000 50007
30	JT-201414-G0 1	Connection	8		2260000 40082
31	JT-110614-G0 0	Connection	2		2260000 40040
32	JT-110714-G0 1	Connection	2		
33	GTHZ210C-63 0101-000	High pressure hose	1		2263000 10145
34	GTHZ210C-63 0102-000	High pressure hose	1		2263000 10139
35	GTHZ210C-63 0103-000	High pressure hose	1		2263000 10142
36	GTHZ210C-63 0104-000	High pressure hose	1		2263000 10140
37	GTHZ210C-63 0105-000	High pressure hose	1		2263000 10144
38	GTHZ210C-63 0106-000	High pressure hose	1		2263000 10143
39	GTHZ210C-63	High pressure	1		2263000

# **Chapter 5 hydraulic system**

## **Spare parts manual**

	<b>0107-000</b>	<b>hose</b>			<b>10146</b>
<b>40</b>	<b>GTHZ210C-63 0108-001</b>	<b>High pressure hose</b>	<b>1</b>		<b>2263000 10221</b>
<b>41</b>	<b>GTHZ210C-63 0109-000</b>	<b>High pressure hose</b>	<b>3</b>		<b>2263000 10148</b>
<b>42</b>	<b>GTHZ210C-63 0110-000</b>	<b>High pressure hose</b>	<b>3</b>		<b>2263000 10150</b>
<b>43</b>	<b>GTHZ210C-63 0111-000</b>	<b>High pressure hose</b>	<b>1</b>		<b>2263000 10151</b>
<b>44</b>	<b>GTHZ210C-63 0112-000</b>	<b>High pressure hose</b>	<b>2</b>		<b>2263000 10152</b>
<b>45</b>	<b>GTHZ210C-63 0113-000</b>	<b>High pressure hose</b>	<b>2</b>		<b>2263000 10153</b>
<b>46</b>	<b>GTHZ210C-63 0125-000</b>	<b>High pressure hose</b>	<b>2</b>		<b>2263000 10167</b>
<b>47</b>	<b>GTHZ210C-63 0114-000</b>	<b>High pressure hose</b>	<b>2</b>		<b>2263000 10138</b>
<b>48</b>	<b>GTHZ210C-63 0115-000</b>	<b>High pressure hose</b>	<b>1</b>		<b>2263000 10154</b>
<b>49</b>	<b>GTHZ210C-63 0116-000</b>	<b>High pressure hose</b>	<b>1</b>		<b>2263000 10155</b>
<b>50</b>	<b>GTHZ210C-63 0117-000</b>	<b>High pressure hose</b>	<b>1</b>		<b>2263000 10156</b>

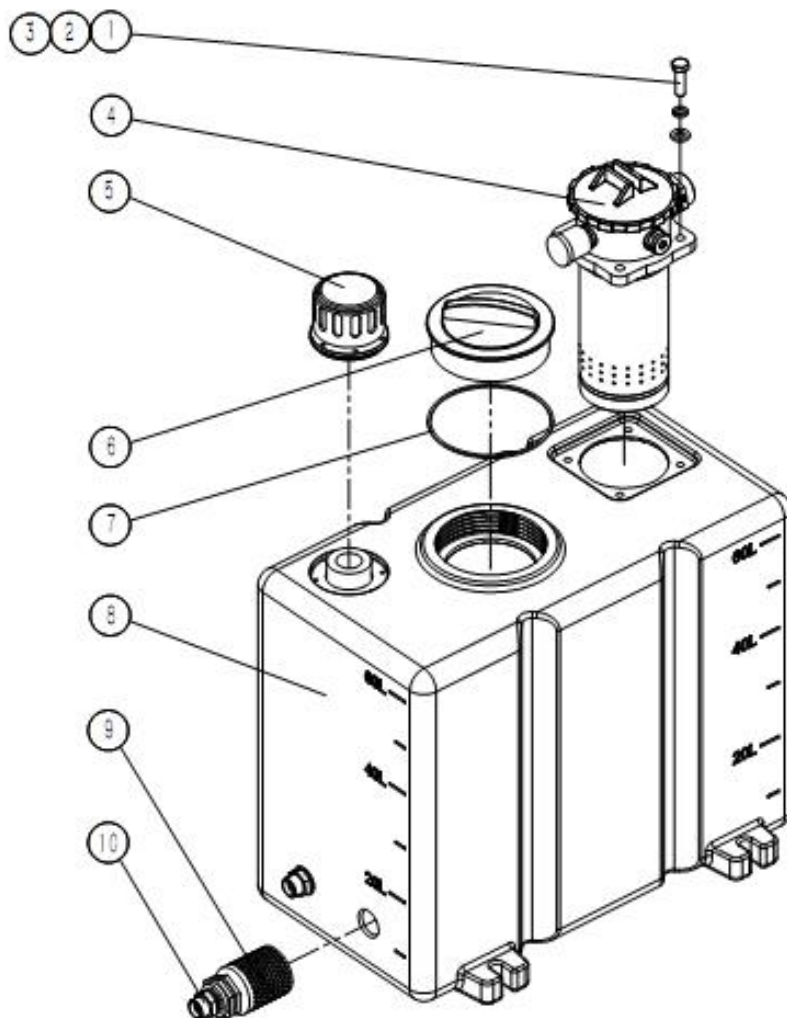
**Spare parts manual**

**Figure 5-1 Hydraulic Circuit**

序号 Item No.	代号 Part No.	名称 Description	数量 Qty	备注或适用车型 Remarks or Series No.	物料码 Code No.
51	GTHZ210C-63 0118-000	High pressure hose	1		2263000 10157
52	GTHZ210C-63 0119-000	High pressure hose	2		2263000 10158
53	GTHZ210C-63 0120-000	High pressure hose	2		2263000 10159
54	GTHZ210C-63 0121-000	High pressure hose	2		2263000 10160
55	GTHZ210C-63 0126-001	High pressure hose	2		2263000 10222
56	GTHZ210C-63 0122-000	High pressure hose	2		2263000 10162
57	GTHZ210C-63 0123-000	High pressure hose	2		2263000 10163
58	GTHZ210C-63 0124-001	High pressure hose	2		2263000 10223

## **Figure 5-2 Tank Assembly**

**Spare parts manual**



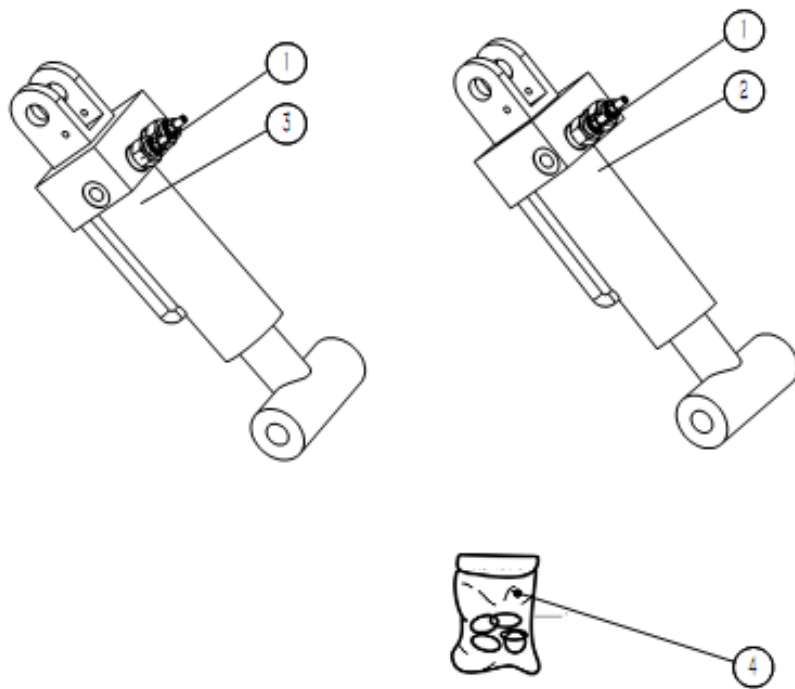
**Spare parts manual**

**Figure 5-2 Tank Assembly**

序号 Item No.	代号 Part No.	名称 Description	数量 Qty	备注或适用车型 Remarks or Series No.	物料码 Code No.
1	GB70-85	Bolt M8×20	4		3000400 20097
2	GB93-87	Washer 8	4		3000300 10015
3	GB97.1-85	Washer 8	4		3000300 40014
4	GTHZ210C-61 0200-G00	Inlet Filter	1		
5	GTHZ210C-61 0300-G00	Air Filter	1		
6	GTHZ210C-61 0400-G00	Cover	1		
7	GTHZ210C-61 0001-G00	Seal	1		
8	GTHZ210C-61 0100-G00	Tank	1		
9	GTHZ210C-61 0500-G00	Filter	2		
10	GTHZ210C-61 0002-G00	Connection	2		

**Figure5-3 Oscillation cylinder assembly**

**Spare parts manual**





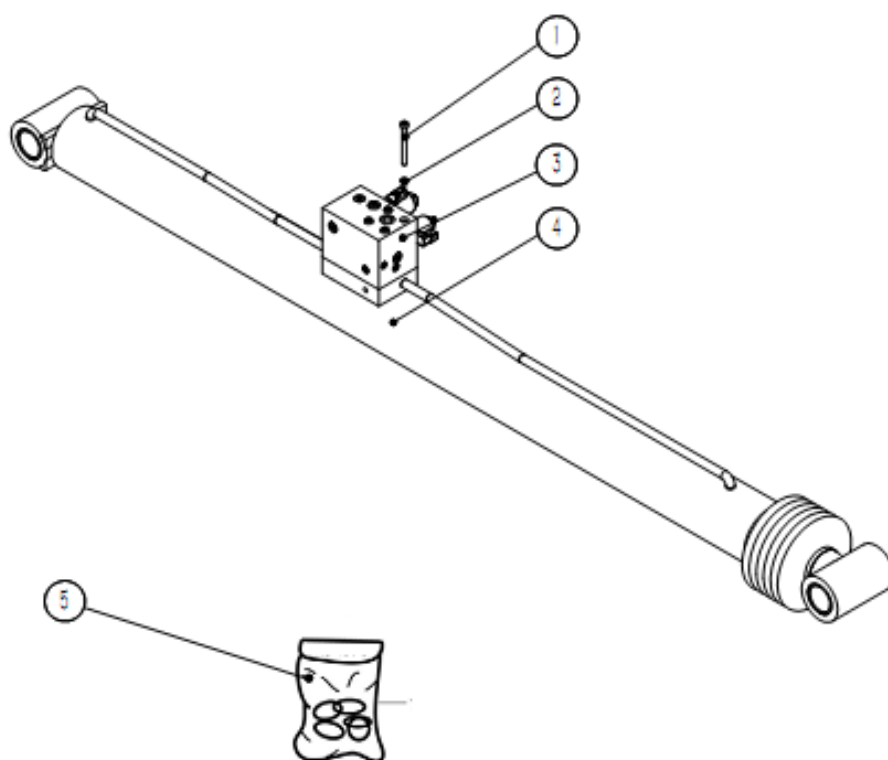
**Spare parts manual**

**Figure 5-3 Oscillation cylinder assembly**

序号 Item No.	代号 Part No.	名称 Description	数量 Qty	备注或适用车型 Remarks or Series No.	物料码 Code No.
1	GTHZ210C-64 0802-G00	Oscillation valve	4		2264000 80005
2	GTHZ210C-62 0200-000	Left Oscillation cylinder	1		
3	GTHZ210C-62 0200-001	Right Oscillation cylinder	1		
4	GTHZ210C-62 0210-000	Seal assembly	1		

**Figure 5-4 Lower secondary boom cylinder**

**Spare parts manual**



**Spare parts manual**

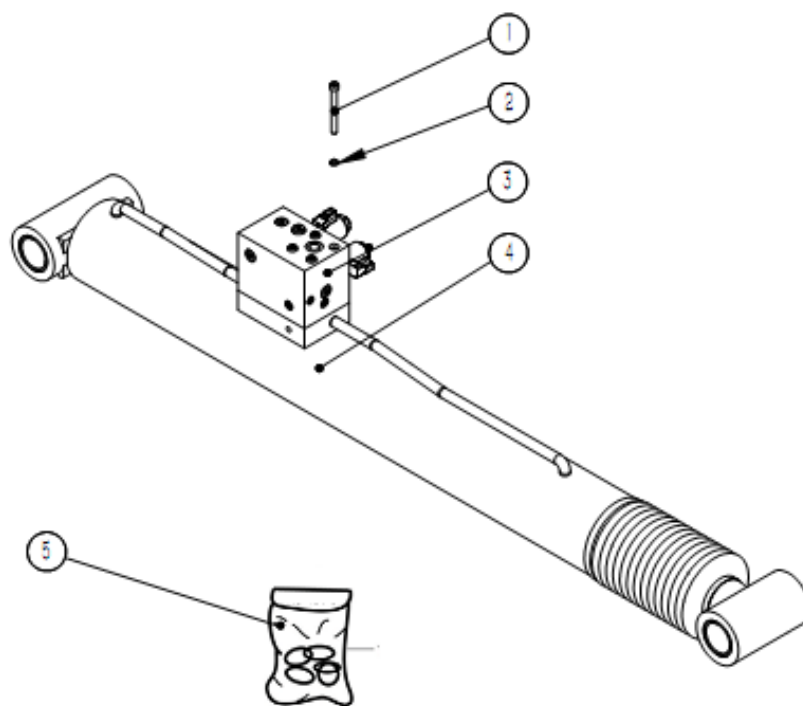
**Figure 5-4 Lower secondary boom cylinder**

序号 Item No.	代号 Part No.	名称 Description	数量 Qty	备注或适用车型 Remarks or Series No.	物料码 Code No.
1	GB70-85	BoltM8×120	4		
2	GB93-87	Washer8	4		3000300 10015
3	GTHZ210C-64 0200-G00	Hydraulic proportional valve	1		2264000 20004
4	GTHZ210C-62 0400-000	Lower secondary boom cylinder	1		2262000 10021
5	GTHZ210C-62 0410-000	Seal assembly	1		

**Figure 5-5 Upper secondary boom cylinder**

# Chapter 5 hydraulic system

## Spare parts manual



**Spare parts manual**

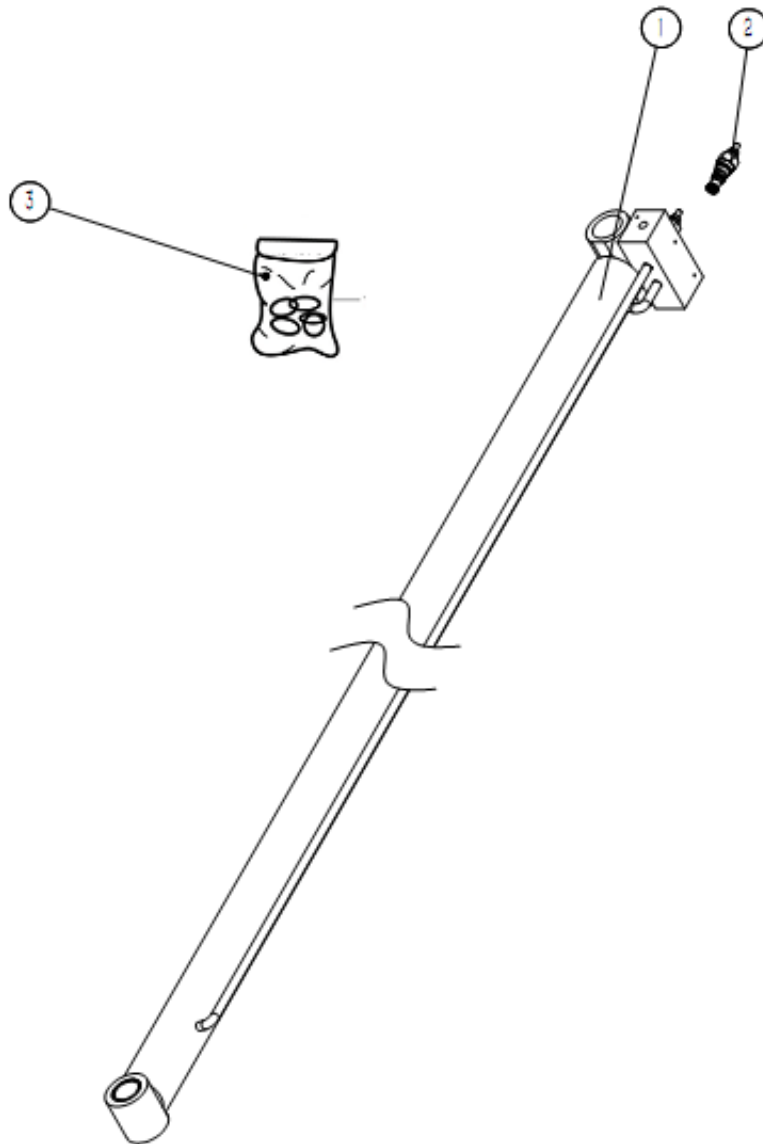
**Figure 5-5 Upper secondary boom cylinder**

序号 Item No.	代号 Part No.	名称 Description	数量 Qty	备注或适用车型 Remarks or Series No.	物料码 Code No.
1	GB70-85	BoltM8×120	4		
2	GB93-87	Washer8	4		3000300 10015
3	GTHZ210C-64 0200-G00	Hydraulic proportional valve	1		2264000 20004
4	GTHZ210C-62 0500-000	Upper secondary boom cylinder	1		2262000 10022
5	GTHZ210C-62 0510-000	Seal assembly	1		

**Figure5-6 Telescopic boom cylinder**



**Spare parts manual**



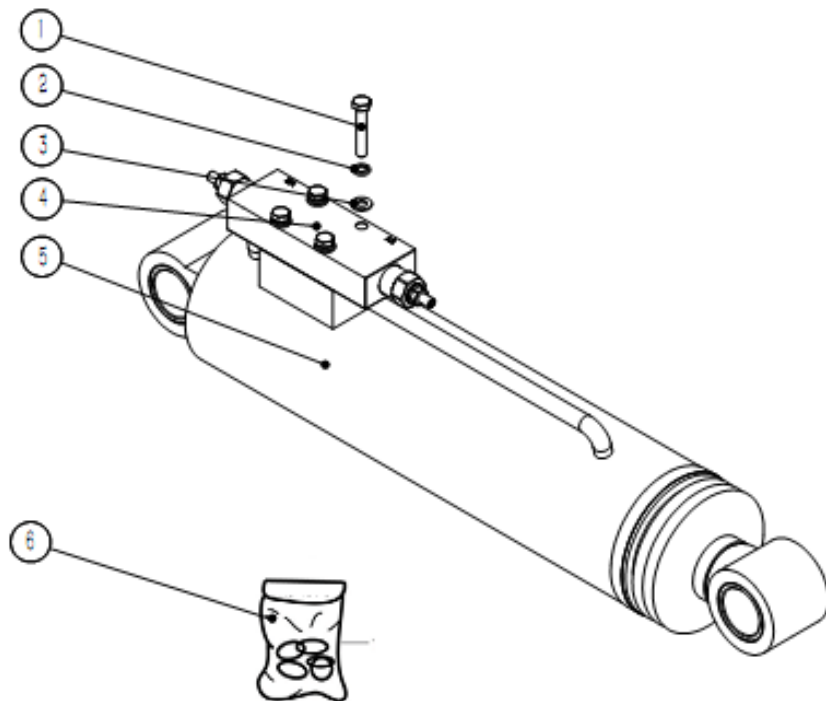
**Spare parts manual**

**Figure5-6 Telescopic boom cylinder**

序号 Item No.	代号 Part No.	名称 Description	数量 Qty	备注或适用车型 Remarks or Series No.	物料码 Code No.
1	GTHZ210C-62 0800-000	Telescopic boom cylinder	1		2262000 30002
2	GTHZ210C-64 0802-G00	Oscillation valve	2		2264000 80005
3	GTHZ210C-62 0810-000	Seal assembly	1		

**Figure 5-7 Upper Leveling cylinder**

**Spare parts manual**



**Spare parts manual**

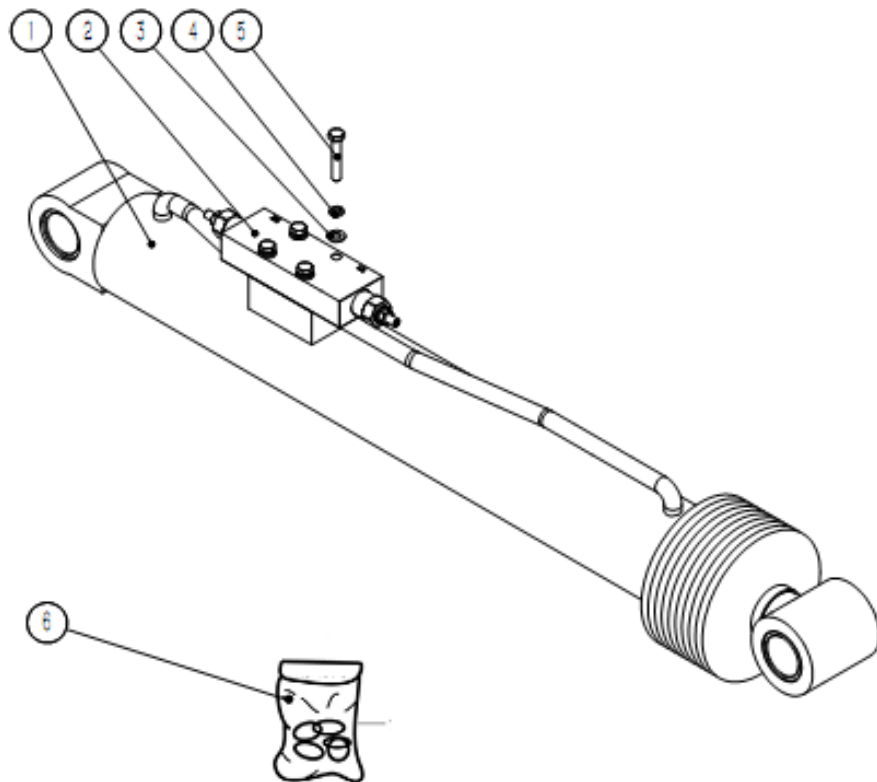
**Figure5-7Upper Leveling cylinder**

序号 Item No.	代号 Part No.	名称 Description	数量 Qty	备注或适用车型 Remarks or Series No.	物料码 Code No.
1	GB5783-86	BoltM8×45	4		3000100 40184
2	GB93-87	Washer8	4		3000300 10015
3	GB97.1-85	Washer8	4		3000300 40014
4	GTHZ210C-64 0400-G00	Balance valve	1		2264000 40008
5	GTHZ210C-62 0700-000	Upper Leveling cylinder	1		2262000 50004
6	GTHZ210C-62 0710-000	Seal assembly	1		

**Figure 5-8 Jib cylinder**

# Chapter 5 hydraulic system

## Spare parts manual



## Spare parts manual

### Figure 5-8 Jib cylinder

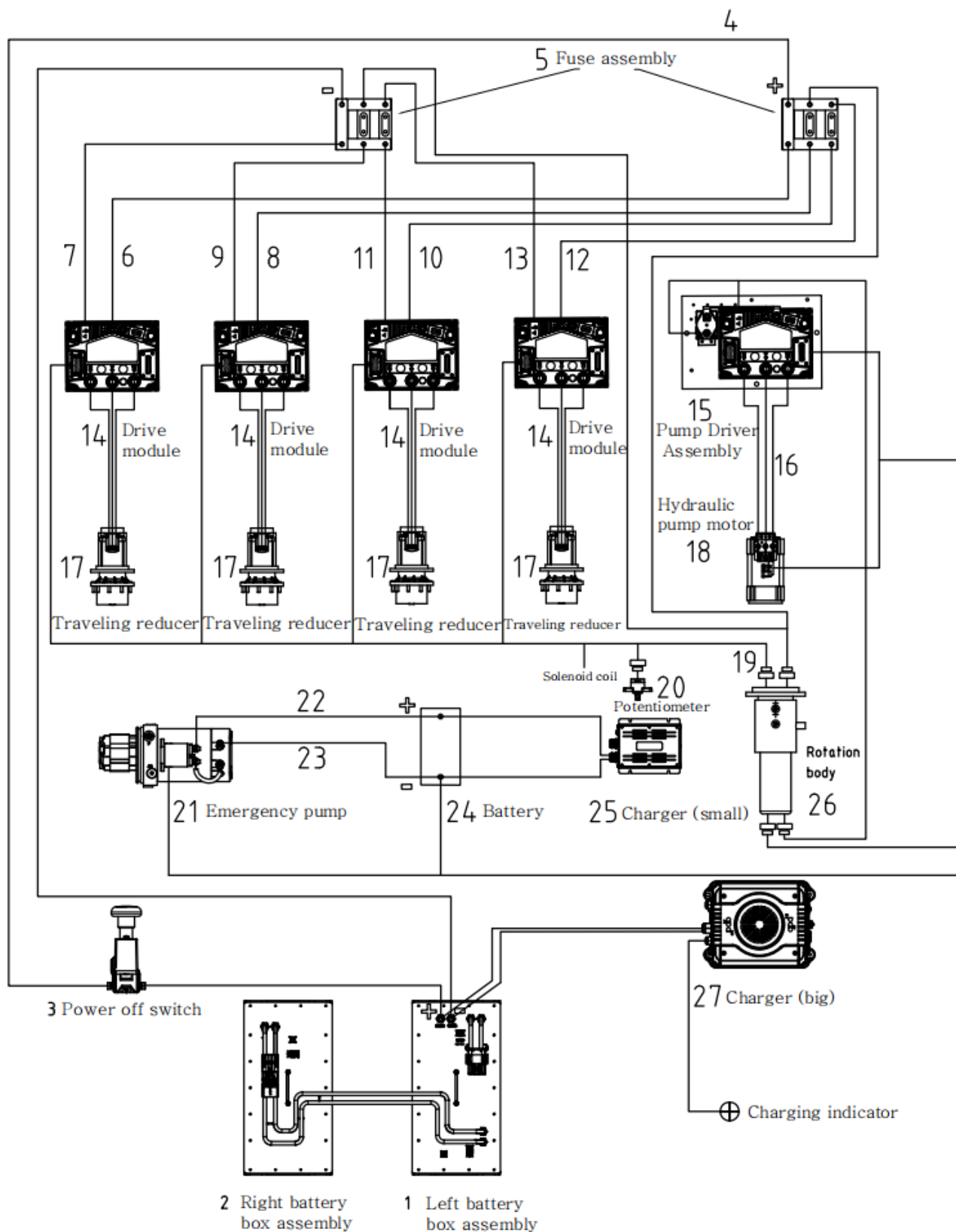
序号 Item No.	代号 Part No.	名称 Description	数量 Qty	备注或适用车型 Remarks or Series No.	物料码 Code No.
1	GTHZ210C-62 0900-000	Jib cylinder	1		2262000 10023
2	GTHZ210C-64 0400-G00	Balance valve	1		2264000 40008
3	GB97.1-85	Washer 8	4		3000300 40014
4	GB93-87	Washer 8	4		3000300 10015
5	GB5783-86	Bolt M8×45	4		3000100 40184
6	GTHZ210C-62 0910-000	Seal assembly	1		



# **Chapter 6 electrical system**

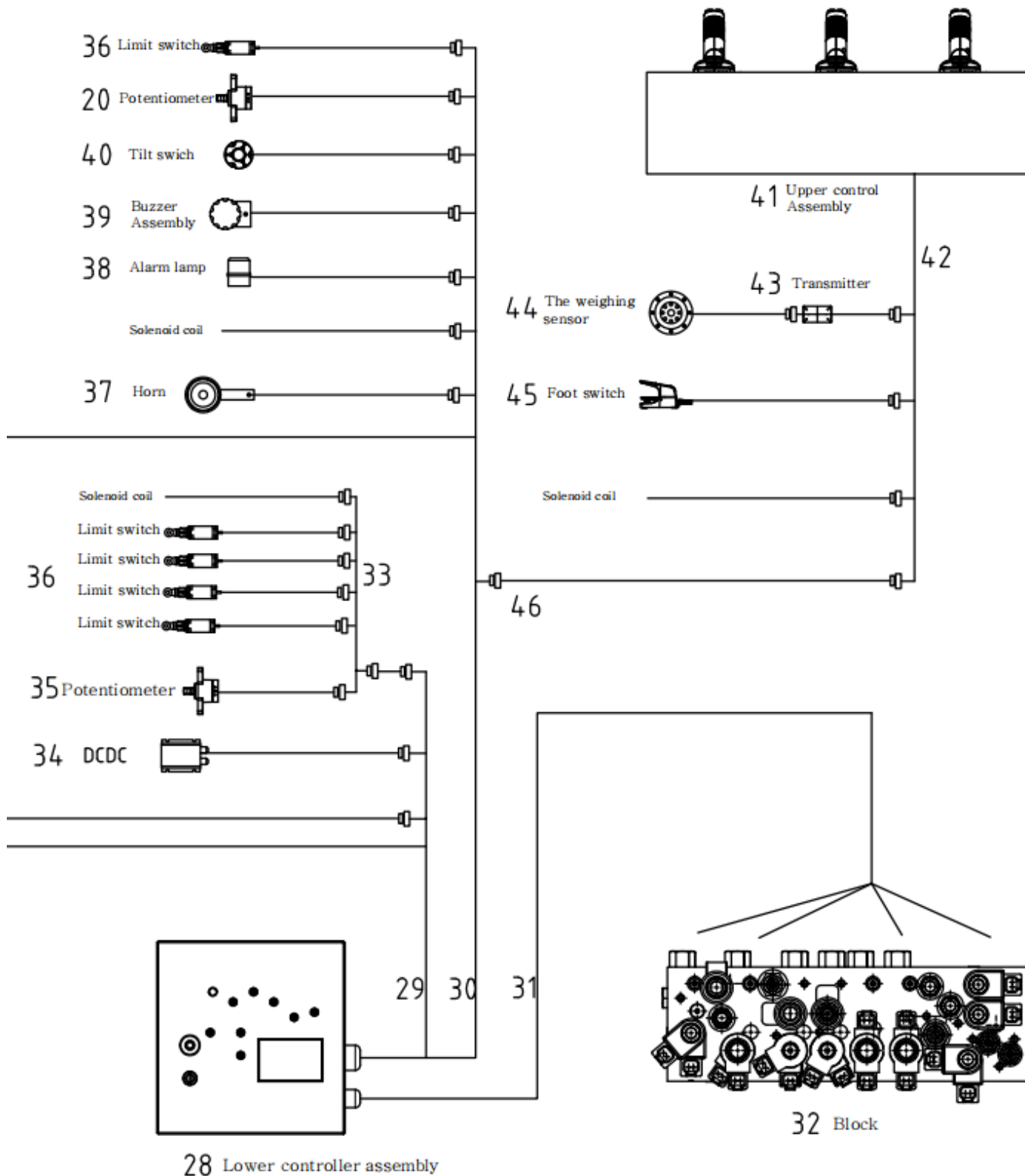
## **Figure6-1 Cable Assembly**

Spare parts manual



## **Figure 6-1 Cable Assembly**

Spare parts manual



**Spare parts manual**

**Figure 6-1 Cable Assembly**

序号 Item No.	代号 Part No.	名称 Description	数量 Qty	备注或适用车型 Remarks or Series No.	物料码 Code No.
1	GTHZ210C-76 0100-000	Left battery box assembly	1		2276000 30007
2	GTHZ210C-76 0200-000	Right battery box assembly	1		2276000 30006
3	GTHZ170C-75 0100-G00	Power off switch	1		2272000 10003
4	GTHZ210C-73 0100-000	Cable	1		2273000 10123
5		Fuse assembly	1	See the figure for details6-3	
6	GTHZ210C-73 0200-000	Cable	1		2273000 10124
7	GTHZ210C-73 0300-000	Cable	1		2273000 10125
8	GTHZ210C-73 0400-000	Cable	1		2273000 10126
9	GTHZ210C-73 0500-000	Cable	1		2273000 10127
10	GTHZ210C-73 0600-000	Cable	1		2273000 10128
11	GTHZ210C-73 0700-000	Cable	1		2273000 10129
12	GTHZ210C-73	Cable	1		2273000

# Chapter 6 electrical system

## Spare parts manual

	0800-000				10130
13	GTHZ210C-73 0900-000	Cable	1		2273000 10131
14	GTHZ210C-75 0200-G00	Drive module	4		2275000 20005
15	GTHZ210C-75 1100-000	Pump Driver Assembly	1		2275000 20006
16	GTHZ210C-73 1000-000	Cable	1		2273000 10133
17	GTHZ210C-13 0000-G00	Traveling reducer	4		2213000 00006
18	XPD090-6210 00-000	Hydraulic pump motor	1		2091000 20186
19	GTHZ210C-74 0800-000	Drive Cable Assembly	1		2271000 10027
20	60XEND-7412 00-G01	Potentiometer	2		2274000 10013
21	GTHZ210C-65 0100-G00	Emergency pump	1		2265000 10005
22	GTHZ210C-73 1100-000	Cable	1		2273000 10134
23	GTHZ210C-73 1200-000	Cable	1		2273000 10135
24	60XEND-7601 00-G00	Battery	1		2276000 20003
25	GTHZ210C-75 0800-G00	Charger (small)	1		2278000 10009

# **Chapter 6 electrical system**

## **Spare parts manual**

<b>26</b>	<b>GTHZ210C-40 0900-G00</b>	<b>Rotation body</b>	<b>1</b>		<b>2240000 00093</b>
<b>27</b>	<b>GTHZ210C-75 0700-G00</b>	<b>Charger (big)</b>	<b>1</b>		<b>2278000 10008</b>
<b>28</b>	<b>GTHZ210C-71 0000-000</b>	<b>Lower controller assembly</b>	<b>1</b>		<b>2275000 40015</b>
<b>29</b>	<b>GTHZ210C-74 0100-000</b>	<b>Main cable 1</b>	<b>1</b>		<b>2271000 10022</b>
<b>30</b>	<b>GTHZ210C-74 0300-000</b>	<b>Main cable 3</b>	<b>1</b>		<b>2271000 10024</b>
<b>31</b>	<b>GTHZ210C-74 0200-000</b>	<b>Main cable2</b>	<b>1</b>		<b>2271000 10023</b>



**Spare parts manual**

**Figure6-1 Cable Assembly**

序号 Item No.	代号 Part No.	名称 Description	数量 Qty	备注或适用车型 Remarks or Series No.	物料码 Code No.
32	GTHZ210C-64 0101-G00	Block	1		2264000 10011
33	GTHZ210C-74 0400-000	Main cable4	1		2271000 10025
34	GTHZ210C-75 1300-000	DCDC	1		2270000 70035
35	GTHZ210C-75 1400-000	Potentiometer	1		
36	GTWZ110-75 0400-G00	Limit switch	5		2272000 50006
37	N163-700009 -000	Horn	1		2079001 30006
38	AP251-70005 0-G00	Alarm lamp	1		2076000 70106
39	NC9717-7005 00-000	Buzzer Assembly	1		2079001 20038
40	GTHZ210C-75 0600-G00	Tilt switch	1		2272000 80005
41	GTHZ210C-72 0000-000	Upper control Assembly	1		2275000 40016
42	GTHZ210C-74 0700-000	Upper control box cable	1		2271000 10026
43	GTHZ210C-75	Transmitter	1		2270000

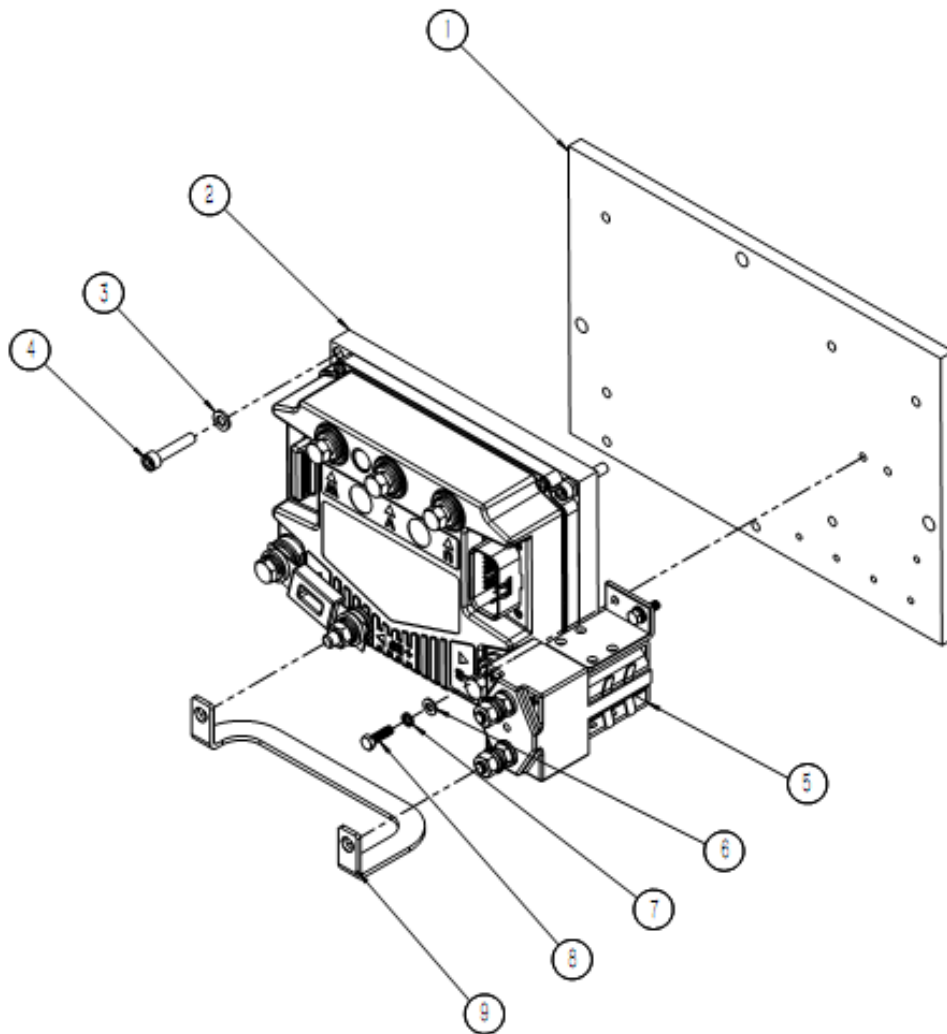
# **Chapter 6 electrical system**

## **Spare parts manual**

	<b>1200-000</b>				<b>70034</b>
<b>44</b>	<b>GTHZ210C-75 0400-G00</b>	<b>The weighing sensor</b>	<b>1</b>		<b>2274000 50002</b>
<b>45</b>	<b>GTHZ210C-75 0300-G00</b>	<b>Foot switch</b>	<b>1</b>		<b>2272000 80004</b>
<b>46</b>	<b>GTHZ210C-74 0600-000</b>	<b>Handle Transfer cable</b>	<b>1</b>		<b>2271000 30028</b>

## **Figure 6-2 Pump Driver Assembly**

**Spare parts manual**



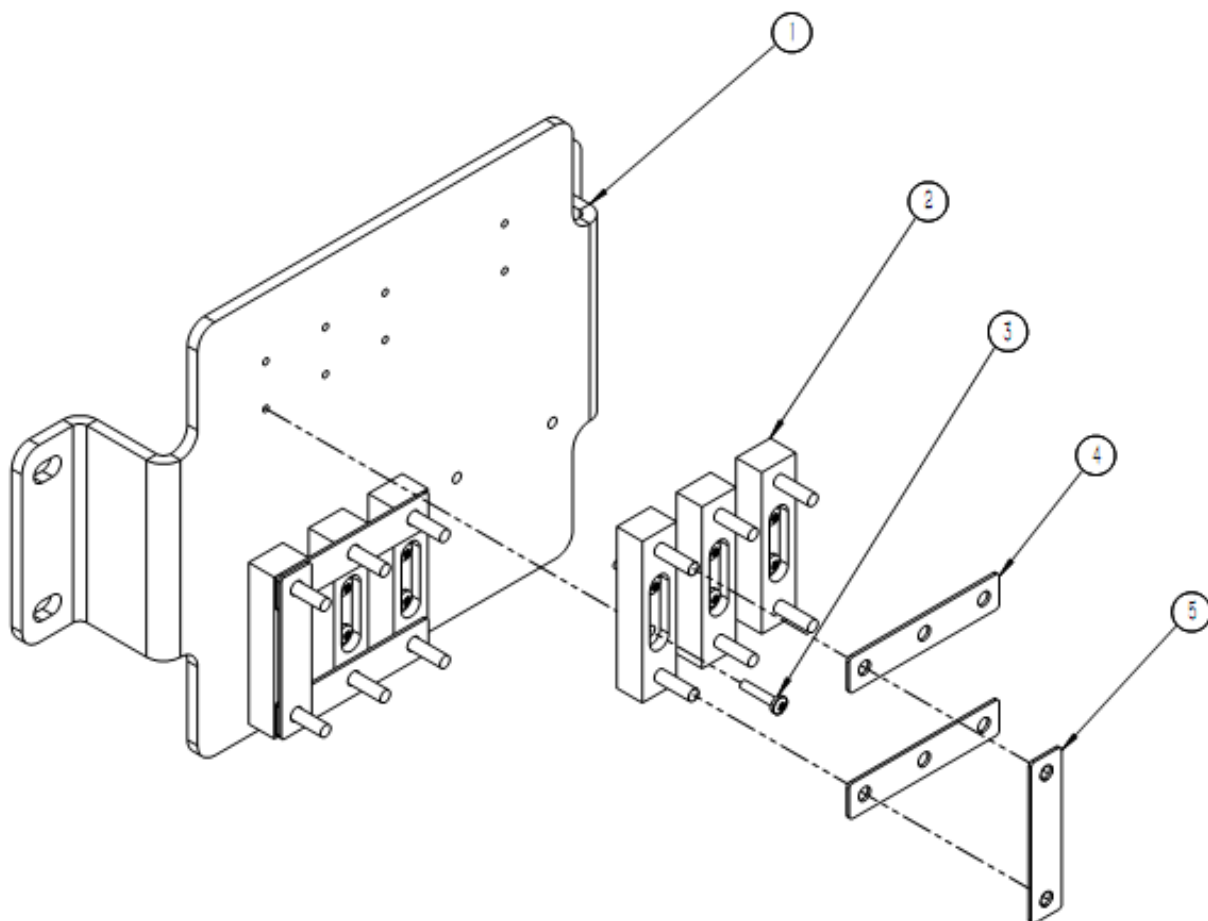
**Spare parts manual**

**Figure 6-2 Pump Driver Assembly**

序号 Item No.	代号 Part No.	名称 Description	数量 Qty	备注或适用车型 Remarks or Series No.	物料码 Code No.
1	GTHZ210C-75 1104-G00	Al plate	1		2270000 70033
2	GTHZ210C-75 0200-G00	Drive module	1		2275000 20005
3	GB97.1-85	Washer 6	4		3000300 40013
4	GB/T70.1-200 0	Screw M6×30	4		3000400 20048
5	GTHZ210C-75 1102-G00	Contactor	1		2275000 60003
6	GB97.1-85	Washer 5	2		3000300 40012
7	GB93-87	Washer 5	2		3000300 10013
8	GB5783-86	Bolt M5×16	2		3000100 40138
9	GTHZ210C-75 1103-G00	Cu plate	1		2270000 70032

## **Figure6-3 Fuse assembly**

**Spare parts manual**



**Spare parts manual**

**Figure6-3 Fuse assembly**

序号 Item No.	代号 Part No.	名称 Description	数量 Qty	备注或适用车型 Remarks or Series No.	物料码 Code No.
1	GTHZ210C-40 0029-000	Fuse Bracket	1		
2	78XEN-74040 2-G00	200A Fuse seat	6		2275000 50007
3	GB818-85	Screw M4×20	12		3000400 70034
4	GTHZ210C-75 0900-000	Fuse Cu B	4		2270000 70024
5	GTHZ210C-75 0500-000	Fuse Cu A	2		2270000 70023

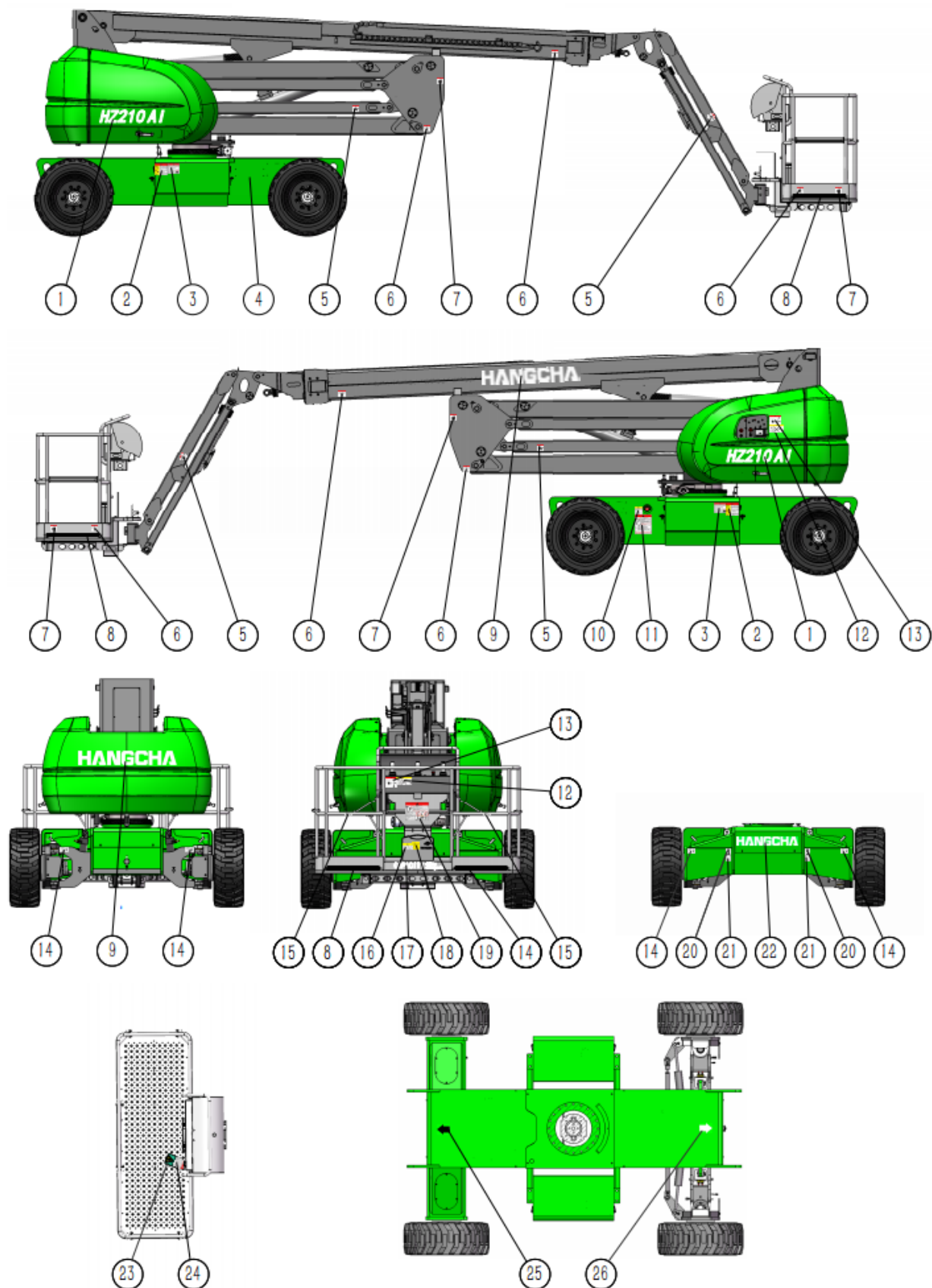


# **Chapter 7 adhesive signs**

**Spare parts manual**

**Figure7-1 adhesive signs**

Spare parts manual



Spare parts manual

Figure7-1 adhesive signs

序号 Item No.	代号 Part No.	名称 Description	数量 Qty	备注或适用车型 Remarks or Series No.	物料码 Code No.
1	GTHZ210C-02 0015-000	adhesive	2		
2	HV110D-0200 17-100	adhesive	2		
3	GTHZ210C-02 0008-100	adhesive	2		
4	78XEN-91000 1-000	adhesive	1		
5	GTHZ120-020 014-100	adhesive	4		
6	GTHZ120-020 016-000	adhesive	6		2202000 40007
7	GTHZ120-020 015-000	adhesive	4		2202000 40009
8	78XEN-02000 9-000	adhesive	6		2202000 40091
9	GTHZ120-020 021-000	adhesive	2		2202000 80005
10	GTHZ210C-02 0009-000	adhesive	1		2202000 40097
11	GTHZ210C-02 0011-100	adhesive	1		
12	GTHZ120-020	adhesive	2		2202000

**Spare parts manual**

	008-000				40003
13	GTHZ120-020 005-100	adhesive	2		
14	GTHZ210C-02 0012-000	adhesive	4		2202000 80024
15	78XEN-02002 4-000	adhesive	4		2202000 40051
16	GTHZ210C-02 0004-100	adhesive	1		
17	GTHZ210C-02 0003-100	adhesive	1		
18	GTHZ120-020 004-000	adhesive	1		2202000 80004
19	GTHZ210C-02 0005-100	adhesive	1		
20	R960-020035- 001	adhesive	4		2002001 50141
21	GTWZ110-02 0013-000	adhesive	4		2202000 50022
22	GTHZ120-020 022-000	adhesive	1		2202000 80006
23	GTHZ210C-02 0016-000	adhesive	1		
24	GTHZ210C-02 0010-000	adhesive	1		2202000 40098
25	GTHZ120-020 007-000	adhesive	1		2202000 80002

**Spare parts manual**

<b>26</b>	<b>GTHZ120-020 006-000</b>	<b>adhesive</b>	<b>1</b>		<b>2202000 80001</b>
-----------	--------------------------------	-----------------	----------	--	--------------------------